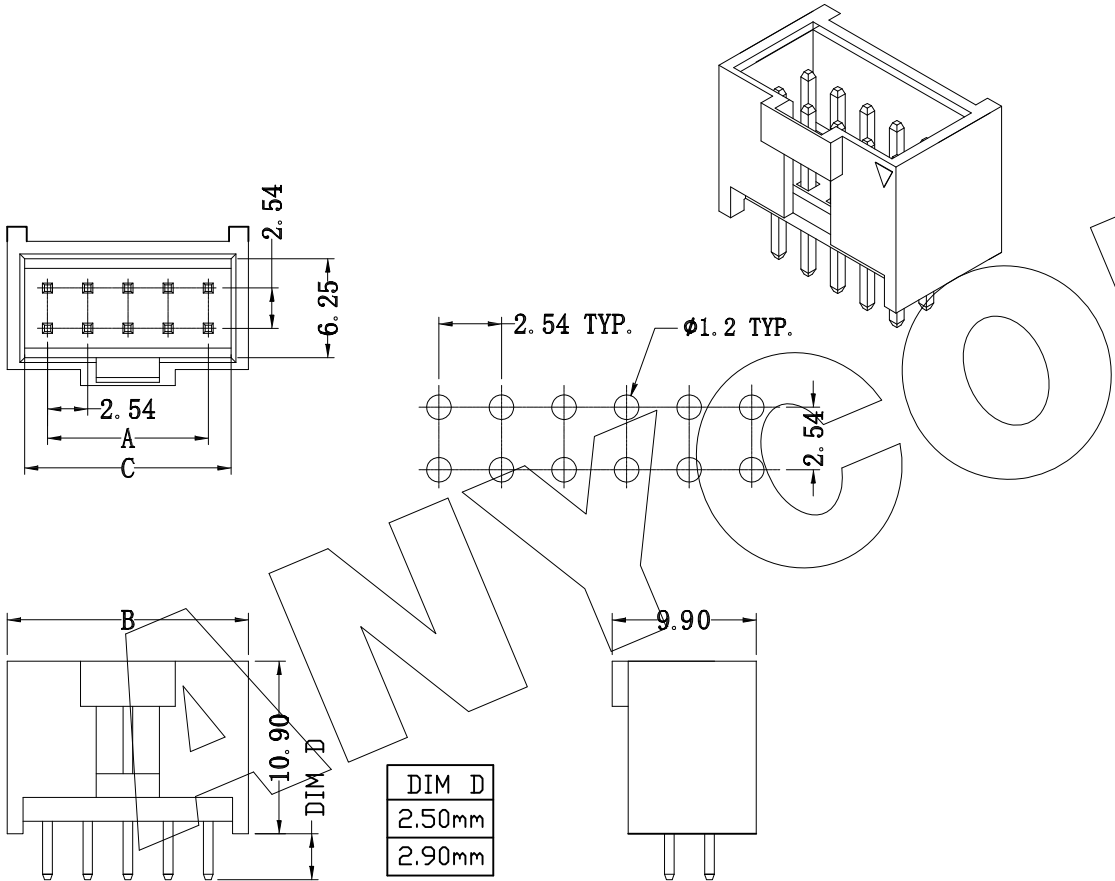


REVISION DATA		
REV	DESCRIPTION	DATE
A0	NEW DRAWING	2016-5-26

Specifications
Voltage Rating: 250V AC/ DC
Current Rating: 3A AC/DC
Withstanding Voltage: 1500V AC/Minute
Insulation Resistance: 1000MΩ Min.
Temperature Range: -25°C ~ +85°C
Contact Resistance: 20mΩ Max.
Pin Material: Brass/Gold-flash or Tin-plated
Material: PBT, UL94V-0
Qty/Bag: 1000PCS



Ordering Information & Dimensions

Poles	Dimensions (mm)		
	A	B	C
6	5.08	10.12	8.12
8	7.62	12.66	10.66
10	10.16	15.20	13.20
12	12.70	17.74	15.74
14	15.24	20.28	18.28
16	17.78	22.82	20.82
18	20.32	25.36	23.36
20	22.86	27.90	25.90
22	25.40	30.44	28.44
24	27.94	32.98	30.98
26	30.48	35.52	33.52
28	33.02	38.06	36.06
30	35.56	40.60	38.60
32	38.10	43.14	41.15
34	40.64	45.68	43.68
36	43.18	48.22	46.22
38	45.72	50.76	48.76
40	48.26	53.30	51.30

DIM	D
2.50mm	
2.90mm	

WF	E	D	12	XXX	XX	X	N	DXX3
Pitch E PH2.54	D 180°	XX Positions	XXX Positions	G0 Gold Flash SN Tin Plated	Insulator Material A PBT B PA66 C PA6T P PC F PA9T	W With peg N NO Peg L With lock T Fixed tabs		DXX3

ANYCONN® 东莞市恩康电子有限公司
www.enkcom.com **DONGGUAN ANYCONN ELECTRONICS CO.,LTD**

TOLERANCE	PROJECTON		TITLE:
ANGLE ±5°	DATE :	2016-5-26	2.54mm Crimp Style connectors
X.XXX ±0.10	DRAWN :	ZHANG	PART NO: WFED12XXXXXXNDXX3
X.XX ±0.20	CHECKED :		DRAWING NO: A2541WVA-2NP-P0BKT
X.X ±0.30	APPROVED :		REV: A0 UNIT: mm SCALE: 3:1 SIZE: A4
X. ±0.50			