

4

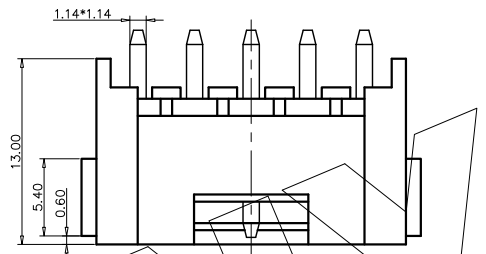
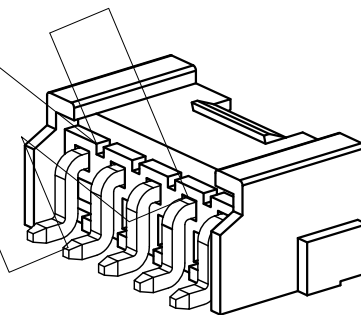
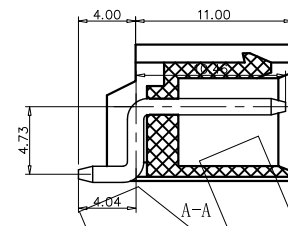
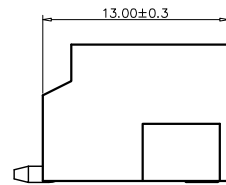
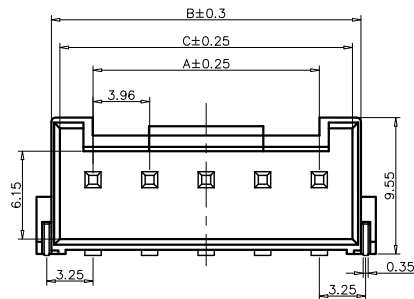
3

2

1

REVISION DATA

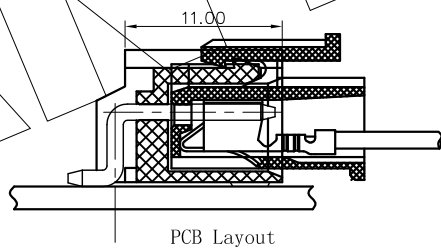
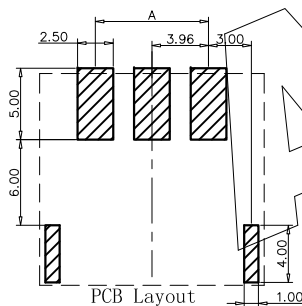
REV	DESCRIPTION	DATE
A0	NEW DRAWING	2016-5-26



CON

- 备注:
- 电气性能:
    - 1-1. 额定电流: 7.0A
    - 1-2. 额定电压: 250V
    - 1-3. 耐电压: 1000V
    - 1-4. 接触电阻: 30mΩ
    - 1-5. 绝缘电阻: 1000MΩ
  - 工作温度: -20℃~+85℃
  - 环境管控:
    - 3-1. 禁止使用含有SS-00259所限制的物质。
    - 3-2. 对应的SGS或ITS出具的ICP-AES数据, 不可测定物质的成分表, 在一年有效期内。

Pin	A	B	C
2	3.96	11.88	8.6
3	7.92	15.84	12.56
4	11.88	19.8	16.52
5	15.84	23.76	20.48
6	19.8	27.72	24.44
7	23.76	31.68	28.4
8	27.72	35.64	32.36
9	31.68	39.6	36.32
10	35.64	43.56	40.28



ITEM	PART NO:	COMPONENT	Q'TY	MATERIAL	FINISH
3	PH.03	/	/	Phosphor bronze	镍底20u"-40u", 镀锡50u"-80u"
2	VHR.02	/	/	Bronze	镍底20u"-40u", 镀锡50u"-80u"
1	VHR.01	/	/	Plastic	PA9T(米黄色)

<b>WF</b>	<b>D</b>	<b>S</b>	<b>11</b>	<b>XXX</b>	<b>XX</b>	<b>X</b>	<b>N</b>	<b>RXXX</b>
Pitch D PH3.96	S SMT	XX Positions	XXX Positions	G0 Gold Flash SN Tin Plated	Insulator Material A PBT B PA66 C PA6T P PC F PA9T	W With peg N NO Peg L With lock T Fixed tabs		RXXX

**ANYCONN® 东莞市恩康电子有限公司**  
 www.enkcom.com **DONGGUAN ANYCONN ELECTRONICS CO.,LTD**

TOLERANCE	PROJECTON	TITLE:
ANGLE ±5°	DATE: 2016-5-26	VHR-nAWB
X.XXX ±0.10	DRAWN: ZHANG	PART NO: WFDS11XXXXXXNRXXX
X.XX ±0.20	CHECKED:	DRAWING NO:
X.X ±0.30	APPROVED:	REV: A0 UNIT: mm SCALE: 3:1 SIZE: A4
X. ±0.50		

4

3

2

1

D

D

C

C

B

B

A

A