

4

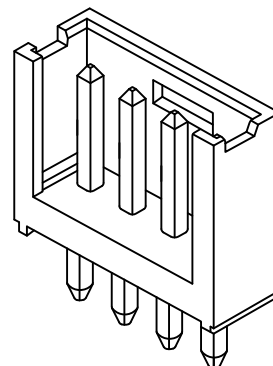
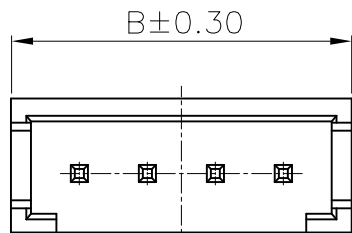
3

2

1

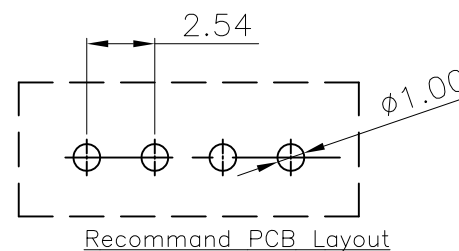
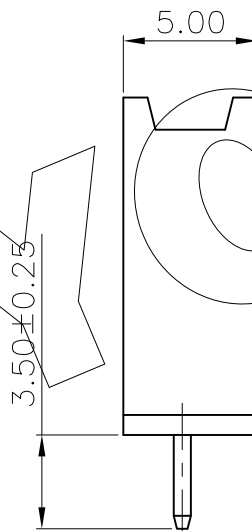
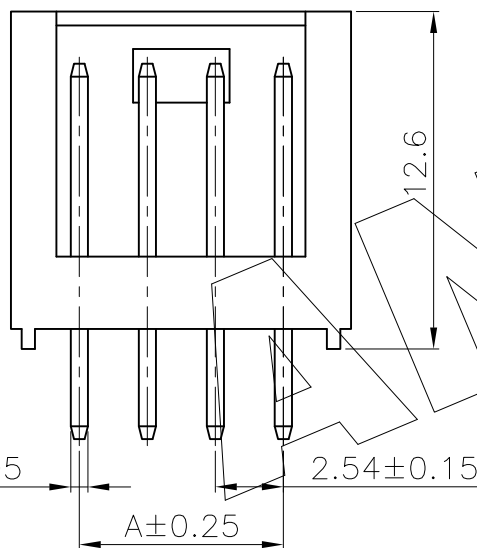
REVISION DATA

REV	DESCRIPTION	DATE
A0	NEW DRAWING	2016-5-19



SPECIFICATIONS :
 Voltage Rating: 250V AC / DC
 Current Rating: 3A AC / DC
 Withstanding Voltage: 1000V AC/minute
 Temperature Range: -25°C~+85°C
 Insulation Resistance: 1000MΩ Min.
 Contact Resistance: 20mΩ Max.
 After environmental testing: 40mΩ Max.

Material:
 Wafer: PBT, UL94V-0, Black
 PIN: Brass/Tin-Plated



WF	B	D	11	XXX	XX	X	N	DXX1
Pitch B PH2.54	D 180°	XX Positions	XXX Positions	G0 Gold Flash SN Tin Plated	Insulator Material A PBT B PA66 C PA6T P PC F PA9T	W With peg N NO Peg L With lock T Fixed tabs		DXX1

ANYCONN® 东莞市恩康电子有限公司
 www.enkcom.com **DONGGUAN ANYCONN ELECTRONICS CO.,LTD**

TOLERANCE ANGLE ±5° X.XXX ±0.10 X.XX ±0.20 X.X ±0.30 X. ±0.50	PROJECTON		TITLE: 2.54mm Crimp Style connectors
	DATE :	2016-5-19	PART NO: WFB11XXXXXXNDXX1
	DRAWN :	ZHANG	DRAWING NO: A2543WV-NP-P0BKT
	CHECKED :		REV: A0 UNIT: mm SCALE: 3:1 SIZE: A4
APPROVED :			

4

3

2

1