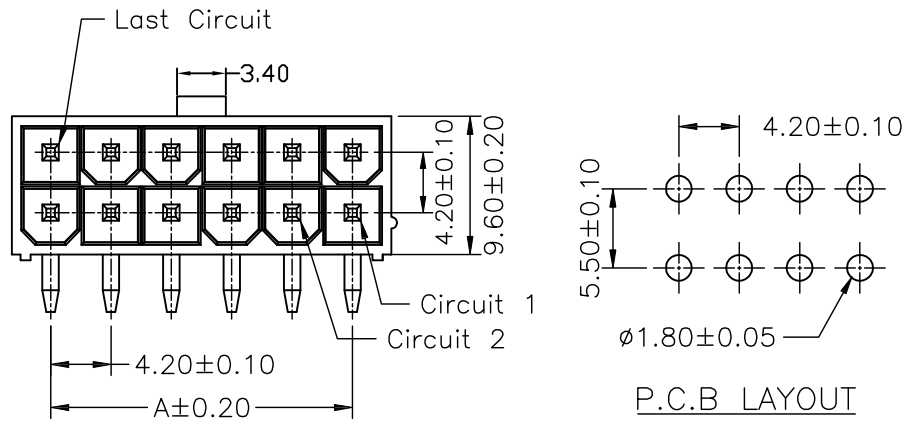
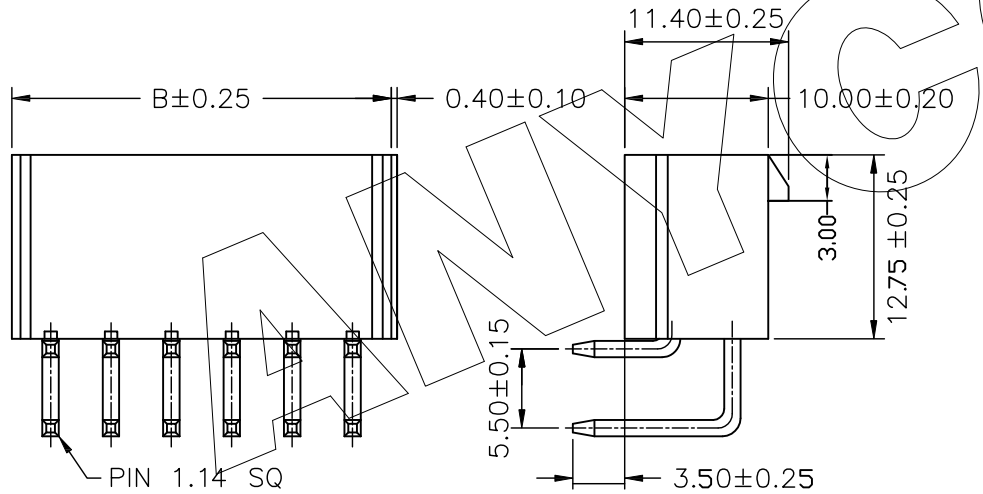
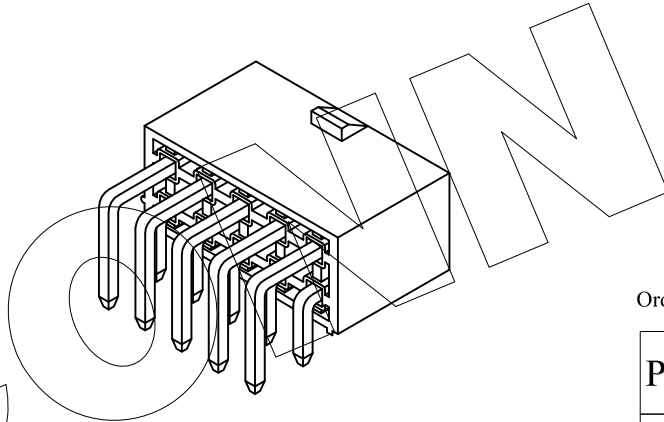


REVISION DATA		
REV	DESCRIPTION	DATE
A0	NEW DRAWING	2016-5-19



P.C.B LAYOUT



Ordering Information & Dimensions

Poles	Dimensions (mm)	
	A	B
02	---	5.40
04	4.20	9.60
06	8.40	13.80
08	12.60	18.00
10	16.80	22.20
12	21.00	26.40
14	25.20	30.60
16	29.40	34.80
18	33.60	39.00
20	37.80	43.20
22	42.00	47.40
24	46.20	51.60

Specifications(规格) :  
 Voltage rating(额定电压): 600V AC / DC  
 Current rating(额定电流): 9A AC / DC  
 Withstanding voltage(耐压值): 1500V AC/minute  
 Temperature range(工作温度): -25°C~+85°C  
 Insulation resistance(绝缘电阻): ≥1000MΩ  
 Contact resistance(接触电阻): ≤10mΩ  
 After environmental testing(环境测试后): ≤20mΩ  
 Pin Material: Brass/Tin-Plated  
 Material: Nylon 66, UL94V-2  
 Color: Natural/Black

<b>WF</b>	<b>J</b>	<b>R</b>	<b>12</b>	<b>XXX</b>	<b>XX</b>	<b>X</b>	<b>N</b>	<b>RXXX</b>
Pitch J PH4.20	R 90°	XX Positions	XXX Positions	G0 Gold Flash SN Tin Plated	Insulator Material A PBT B PA66 C PA6T P PC F PA9T	W With peg N NO Peg L With lock T Fixed tabs		RXXX

**ANYCONN® 东莞市恩康电子有限公司**  
 www.enkcom.com **DONGGUAN ANYCONN ELECTRONICS CO.,LTD**

TOLERANCE	PROJECTON		TITLE:
ANGLE ±5°	DATE:	2016-5-19	4.2mm Crimp Style connectors
X.XXX ±0.10	DRAWN:	ZHANG	PART NO: WFJR12XXXXXXXXNRXXX
X.XX ±0.20	CHECKED:		DRAWING NO: C4255WR-2NP-N2XXX
X.X ±0.30	APPROVED:		REV: A0 UNIT: mm SCALE: 3:1 SIZE: A4
X. ±0.50			