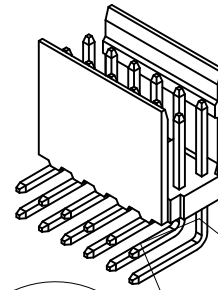
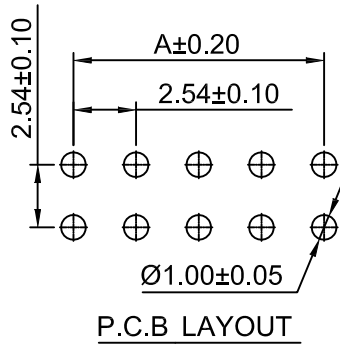
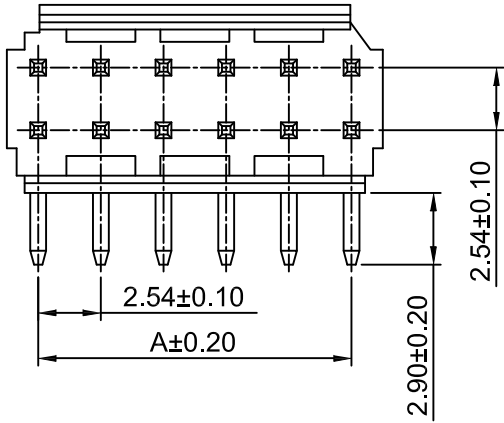


REVISION DATA		
REV	DESCRIPTION	DATE
A0	NEW DRAWING	2016-5-19

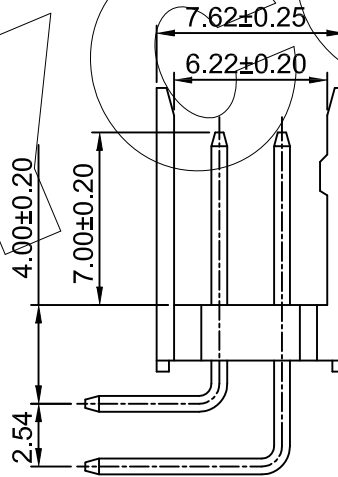
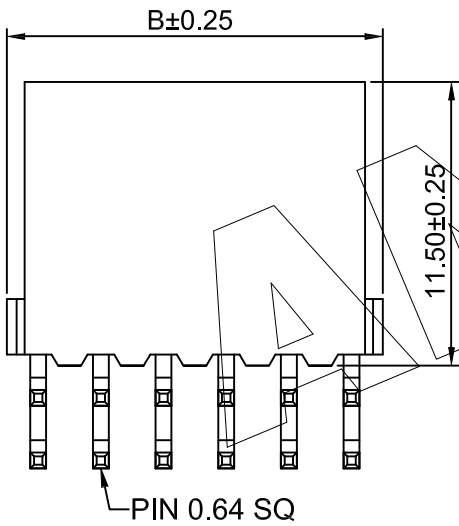


Specifications :

Voltage rating: 250V AC / DC
 Current rating: 3A AC / DC
 Withstanding voltage: 1000V AC/minute
 Temperature range: -40°C~+105°C
 Insulation resistance: ≥1000MΩ
 Contact resistance: ≤20mΩ

Reference Informations:

*Material:
 PIN: Brass/Tin Plated
 Wafer: PBT, UL94V-0
 Color: Black&Blue
 *Mates with A2543 series Housing



Ordering Information & Dimensions

Poles	Dimensions (mm)		Poles	Dimensions (mm)	
	A	B		A	B
2*2P	2.54	5.08	2*8P	17.78	20.32
2*3P	5.08	7.62	2*10P	22.86	25.40
2*4P	7.62	10.16	2*12P	27.94	30.48
2*5P	10.16	12.70	2*15P	35.56	38.10
2*6P	12.70	15.24	2*17P	40.64	43.18
2*7P	15.24	17.48	2*18P	43.18	45.72

WF	B	R	12	XXX	XX	X	N	RXX1
Pitch B PH2.54	R 90°	XX Positions	XXX Positions	G0 Gold Flash SN Tin Plated	Insulator Material A PBT B PA66 C PA6T P PC F PA9T	W With peg N NO Peg L With lock T Fixed tabs		RXX1

ANYCONN® 东莞市恩康电子有限公司
 www.enkcom.com **DONGGUAN ANYCONN ELECTRONICS CO.,LTD**

TOLERANCE	PROJECTON	TITLE:
ANGLE ±5°	DATE : 2016-5-19	2.54mm Crimp Style connectors
X.XXX ±0.10	DRAWN : ZHANG	PART NO: WFBR12XXXXXXXXNRXX1
X.XX ±0.20	CHECKED :	DRAWING NO: A2543WRA-2NP-P0XXX
X.X ±0.30	APPROVED :	REV: A0 UNIT: mm SCALE: 3:1 SIZE: A4
X. ±0.50		