

Electrical properties

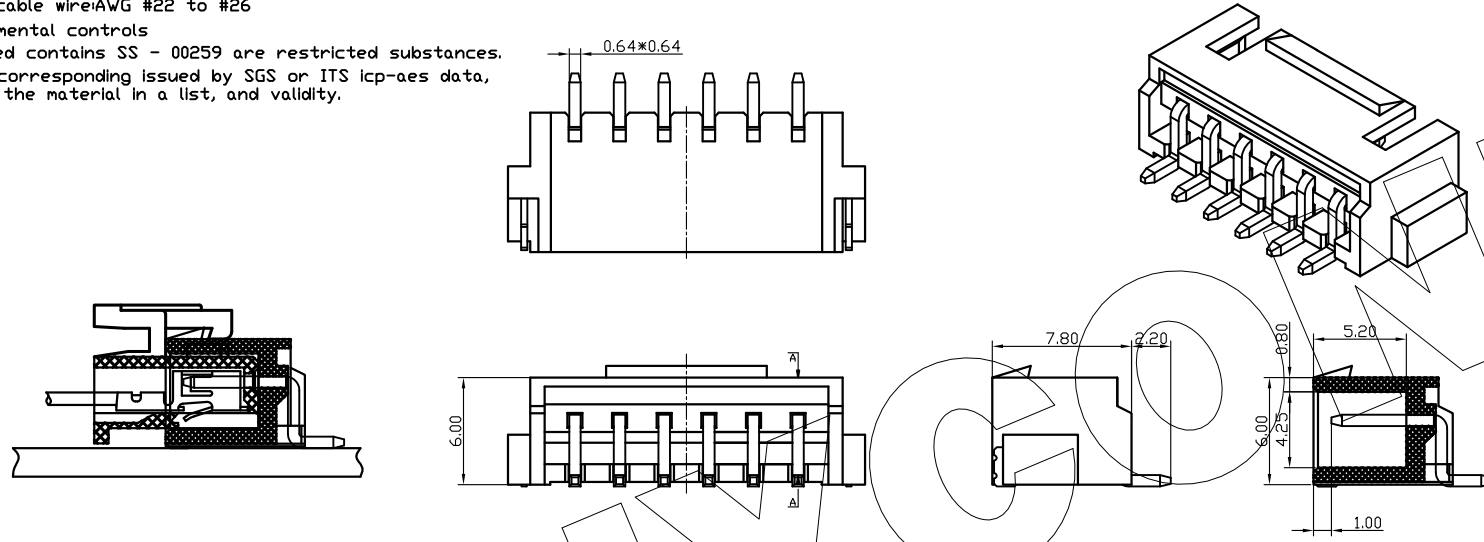
1. Current rating: 2A AC\DC (AWG #22)
2. Voltage rating: 250V AC\DC
3. Temperature range: -25°C to 85°C
4. Contact resistance: Initial value/20mΩ max
5. Insulation resistance: 500MΩ min
6. Withstanding voltage: 1000V AC/ minute
7. Applicable wire: AWG #22 to #26

Environmental controls

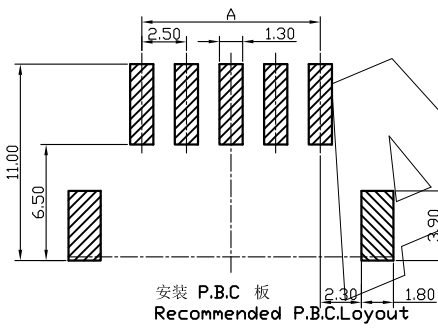
1. Banned contains SS - 00259 are restricted substances.
2. The corresponding issued by SGS or ITS Icp-aes data, Not the material in a list, and validity.

REVISION DATA

REV	DESCRIPTION	DATE
A0	NEW DRAWING	2016-5-26



孔位 poles	A	B
2	2.5	10.0
3	5.0	12.5
4	7.5	15.0
5	10.0	17.5
6	12.5	20.0
7	15.0	22.5
8	17.5	25.0
9	20.0	27.5
10	22.5	30.0
11	25.0	32.5
12	27.5	35.0
13	30.0	37.5
14	32.5	40.0
15	35.0	42.5
16	37.5	45.0



3	003	基座	LCP(Ein130)	1	
2	002	接触件	磷青铜	N*	镀锡
1	001	焊片	磷青铜	2	镀锡
序号	图号	名称	材料	数量	附件

WF	A	S	11	XXX	XX	X	N	SXX3
Pitch A PH2.50	S SMT	XX Positions	XXX Positions	G0 Gold Flash SN Tin Plated	Insulator Material A PBT B PA66 C PA6T P PC F PA9T	W With peg N NO Peg L With lock T Fixed tabs		SXX3

ANYCONN® 东莞市恩康电子有限公司
 www.enkcom.com **DONGGUAN ANYCONN ELECTRONICS CO.,LTD**

TOLERANCE	PROJECTON	TITLE: XHB-AWB
ANGLE ±5°	DATE: 2016-5-26	PART NO: WFAS11XXXXXXNSXX3
X.XXX ±0.10	DRAWN: ZHANG	DRAWING NO:
X.XX ±0.20	CHECKED:	REV: A0 UNIT: mm SCALE: 3:1 SIZE: A4
X.X ±0.30	APPROVED:	
X. ±0.50		