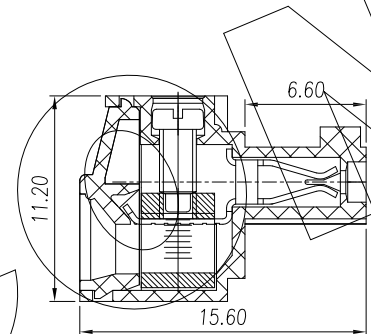
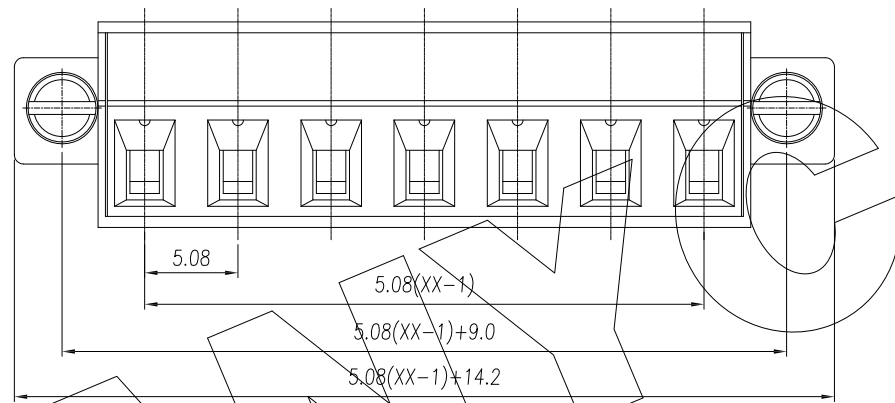
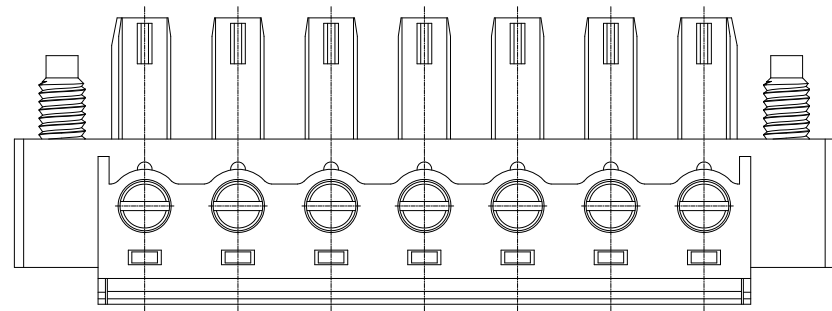


REVISION DATA		
REV	DESCRIPTION	DATE
A0	NEW DRAWING	2016-03-21

参考标准/Standard	UL	IEC
额定电压/Rated voltage	300V	250V
额定电流/Rated current	8A	10A
接触电阻/Contact resistance	20mΩ	
绝缘电阻/Insulation resistance	500MΩ/DC500V	
使用线径/Wire range	28~16AWG	1.0mm <sup>2</sup>
耐电压/With standing voltage	AC 2000V/1 Min	
<b>机械性能/Mechanical</b>		
最大扭力/Torque(Max)	0.2Nm(1.7Lb.in)	
剥线长度/Steip Length	6-7mm	
温度范围/Temp.Range	-40°C~+105°C	
<b>尺寸/Dimensions</b>		
间距/Pitch	5.08mm	
极数/Poles	2~24p	
<b>材质及电镀/Material</b>		
塑件/Housing	PA66, UL94V-0	
螺丝/Screws	M2.0 Steel, Zn plated	
夹子/Clamp	Phosphor bronze, Ni plated	
方块/Cage	Brass ,Ni plated	



### AJ-X XX-X X 0

- 5 Green
  - 6 Blue
  - A Black
  - 1 "-"Screw
  - 2 "+"Screw
- 02 02  
To To  
24 24
- 5 5.0mm  
E 5.08mm

## ANYCONN® 东莞市恩康电子有限公司

www.enkcom.com **DONGGUAN ANYCONN ELECTRONICS CO.,LTD**

TOLERANCE ANGLE ±5° X.XXX ±0.10 X.XX ±0.20 X.X ±0.30 X. ±0.50	PROJECTON		TITLE: AJ Pitch 5.08mm Auricled Series			
	DATE :	2016-03-21	PART NO: AJEXX1X0G			
	DRAWN :	Songjun	DRAWING NO: WJ15EDGKM-5.08-XXP-1YY-00A			
	CHECKED :		REV: A0	UNIT: mm	SCALE: 1:1	SIZE: A4
APPROVED :						