

4

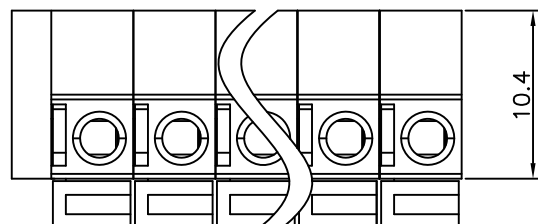
3

2

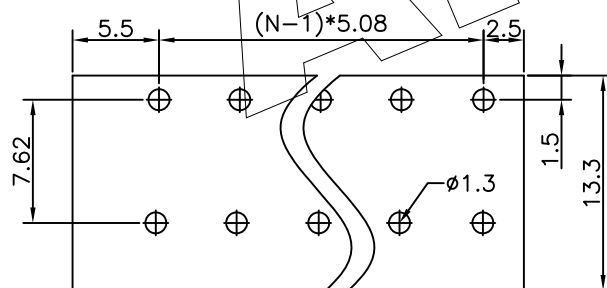
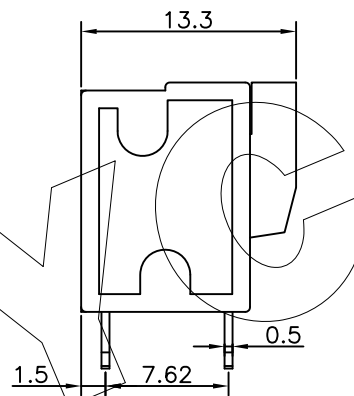
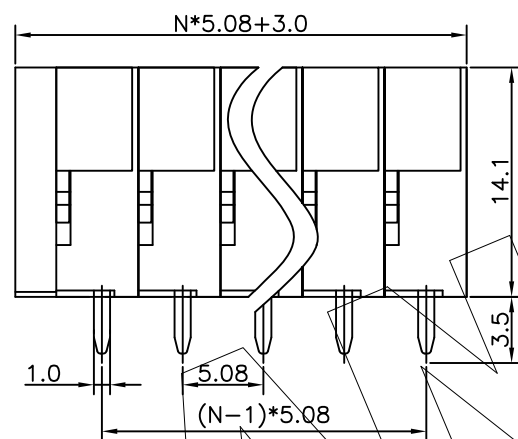
1

REVISION DATA

REV	DESCRIPTION	DATE
A0	NEW DRAWING	2008-11-18



N=Number of contacts



P.C.B. LAYOUT

Technical Data:

Material:

Contact : Brass

Wire guard : stainless steel

Surface of solder tail : Tin plated

Insulator body(housing): PA66(Glass filled)(UL94V-0)

Electrical

Voltage rating : 300VAC

Current rating : 10Amps/way max

Contact resistance : 20mΩ (max)

Insulation resistance : 1000MΩ min.

Mechanical:

Operating temperature : -55°C

Test temperature= 250°C 5 seconds max.

GA- X XX- 0 X X

3	3.50mm
2	02 5 Green
4	04 6 Blue
20	20 8 Grey
E	5.08mm A Black

ANYCONN® 东莞市恩康电子有限公司

www.enkcom.com

DONGGUAN ANYCONN ELECTRONICS CO.,LTD

TOLERANCE	PROJECTON		TITLE:
ANGLE ±5°	DATE :	2008-11-18	GA Pitch 5.08mm Series
X.XXX ±0.10	DRAWN :	Fuqianshan	PART NO: GAEXX0X3A
X.XX ±0.20	CHECKED :		DRAWING NO: AN-GAEXX0X3A
X.X ±0.30	APPROVED :		REV: A0 UNIT: mm SCALE: 3:1 SIZE: A4
X. ±0.50			

4

3

2

1