

4

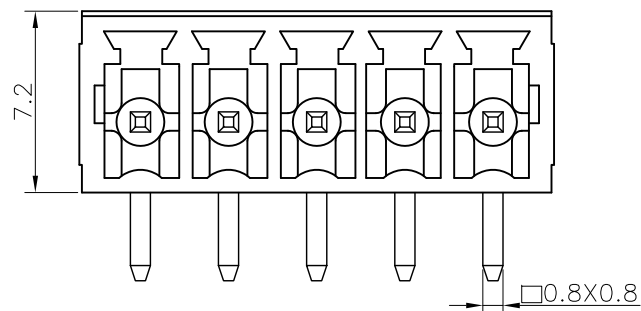
3

2

1

## REVISION DATA

REV	DESCRIPTION	DATE
A0	NEW DRAWING	2015-06-10



N=Number of contacts

## Technical Data:

Material:

Solder Pin: Brass with Tin plated

Insulator body(housing): Polyamide  
(Glass filled)(UL94V-0)

Electrical

Voltage rating: 250VAC

Current rating: 8A.

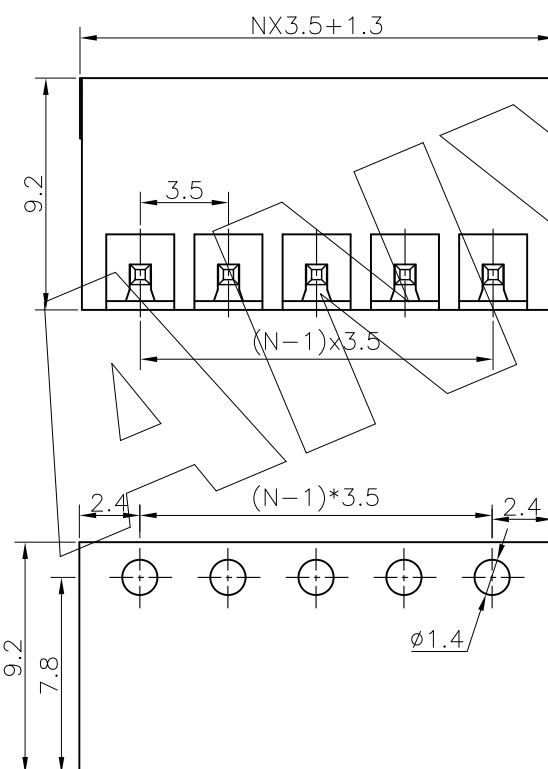
Insulation resistance: 500MΩ at DC 500V

Withstanding Voltage: AC 1200V(1min)

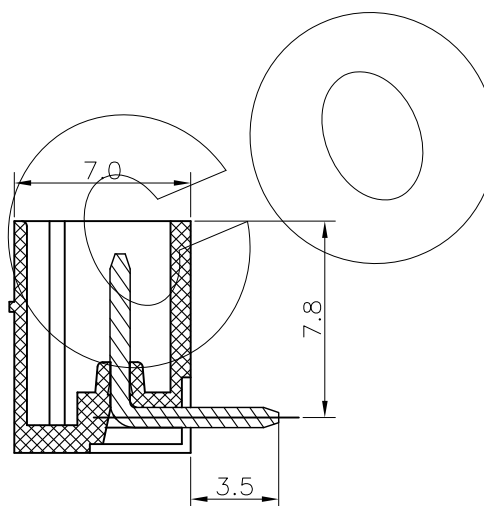
Mechanical:

Using temperature Range: -40°C to +105°C

Soldering temperature: +250°C, 5seconds Max.



P.C.B. LAYOUT



EQ-X	XX	-0	X	X	
			5	Green	3 3.50mm
			6	Blue	
			A	Black	
	02	2Pin			
	To	To			
	24	24Pin			
	3	3.5mm			
	C	3.81mm			

ANYCONN® 东莞市恩康电子有限公司

www.enkcom.com

DONGGUAN ANYCONN ELECTRONICS CO.,LTD

TOLERANCE	PROJECTON		TITLE:
ANGLE ±5°	DATE :	2015-06-10	EQ Series 3.5mm Right Angle Type
X.XXX ±0.10	DRAWN :	Songjun	PART NO: EQ3XX0X3C
X.XX ±0.20	CHECKED :		DRAWING NO:
X.X ±0.30	APPROVED :		REV: A0 UNIT: mm SCALE: 3:1 SIZE: A4
X. ±0.50			

4

3

2

1