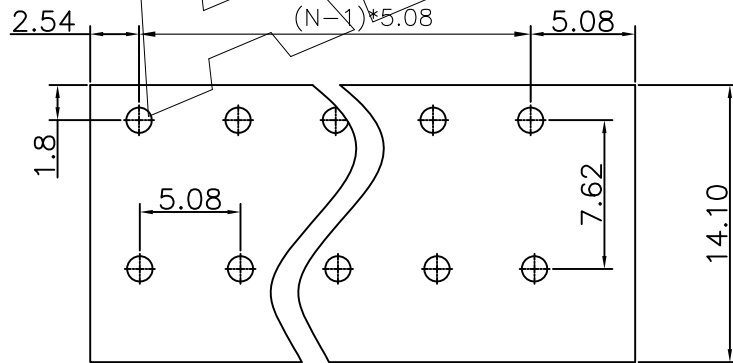
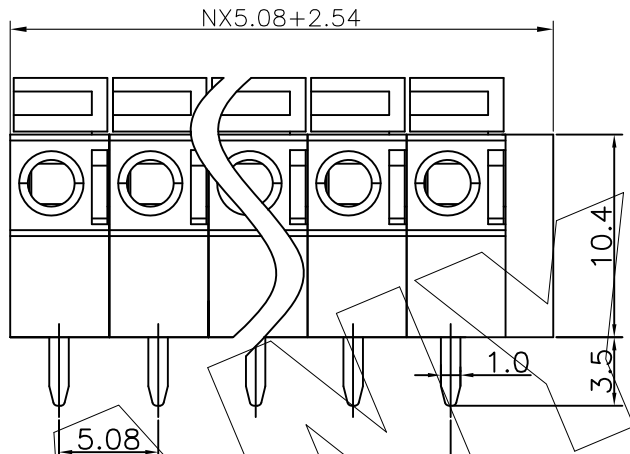
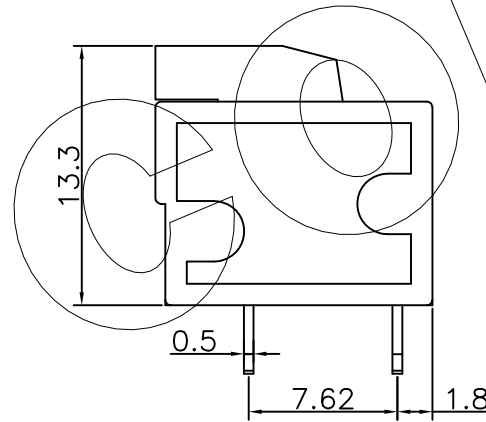


N=Number of contacts



P.C.B LAYOUT



REVISION DATA

REV	DESCRIPTION	DATE
A0	NEW DRAWING	2012-10-19

Technical Data:

Material:  
 Wire guard: Brass  
 Contact: stainless spring steel  
 Insulator body(housing): Polyamide  
 (Glass filled)(UL94V-0)

Electrical  
 Voltage rating: 300VAC  
 Current rating: 10A  
 Contact resistance: 20mΩ max  
 Insulation resistance: 1000MΩ min  
 Wire range: 14-24 AWG

Mechanical:  
 Using temperature Range: -55°C to +105°C  
 Soldering temperature: +250°C, 5seconds Max.

GA-E XX - 0 X X  
 3 3.5mm  
 5 Green  
 6 Blue  
 A Black  
 02 2Pin  
 To To  
 24 24Pin  
 E 5.08mm

**ANYCONN®** 东莞市恩康电子有限公司  
 www.enkcom.com **DONGGUAN ANYCONN ELECTRONICS CO.,LTD**

TOLERANCE	PROJECTON		TITLE:
ANGLE ±5°	DATE :	2012-11-08	GA Pitch 5.08mm Series
X.XXX ±0.10	DRAWN :	Anna	PART NO: GAEXX0X3B
X.XX ±0.20	CHECKED :		DRAWING NO:
X.X ±0.30	APPROVED :		REV: A0 UNIT: mm SCALE: 4:1 SIZE: A4
X. ±0.50			