

4

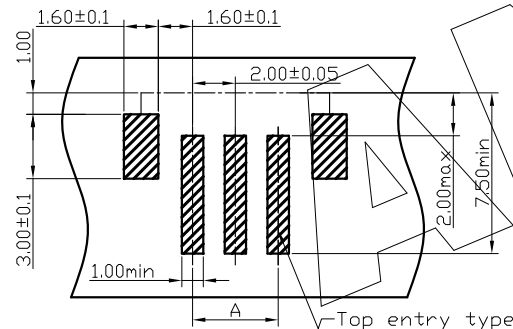
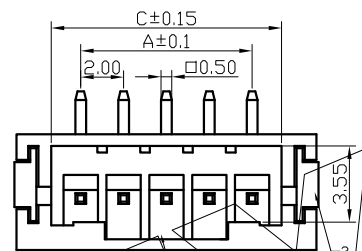
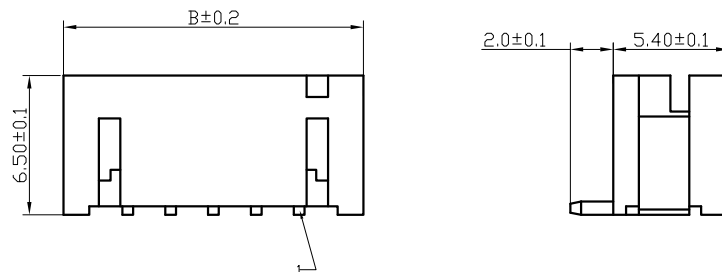
3

2

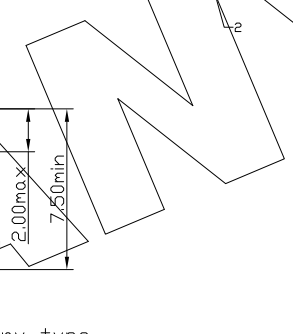
1

REVISION DATA

REV	DESCRIPTION	DATE
A0	NEW DRAWING	2016-5-26



安装 P.B.C 板
Recommended P.B.C.Layout



Electrical properties

- 1、Current rating: 2A AC\DC (AWG #26)
- 2、Voltage rating: 250V AC\DC
- 3、Temperature range: -25°C to 85°C
- 4、Contact resistance: Initial value/20mΩ max
- 5、Insulation resistance: 1000MΩ min
- 6、Withstanding voltage: 1000V AC/ minute
- 7、Applicable wire: AWG #24 to #28

Environmental controls

- 1、Banned contains SS - 00259 are restricted substances.
- 2、The corresponding issued by SGS or ITS icp-aes data, Not the material in a list, and validity.

孔位 poles	A	B	C
2	2.00	8.00	4.75
3	4.00	10.00	6.75
4	6.00	12.00	8.75
5	8.00	14.00	10.75
6	10.00	16.00	12.75
7	12.00	18.00	14.75
8	14.00	20.00	16.75
9	16.00	22.00	18.75
10	18.00	24.00	20.75
11	20.00	26.00	22.75
12	22.00	28.00	24.75
13	24.00	30.00	26.75
14	26.00	32.00	28.75
15	28.00	34.00	30.75
16	30.00	36.00	32.75

序号	名称	材料
1	插针	黄铜 (镀锡)
2	底座	LCP(UL94-0)
3	焊片	磷青铜 (镀锡)

WF	B	R	11	XXX	XX	X	N	RXX2
Pitch B PH2.0	R 90°	XX Positions	XXX Positions	G0 Gold Flash SN Tin Plated	Insulator Material A PBT B PA66 C PA6T P PC F PA9T	W With peg N NO Peg L With lock T Fixed tabs		RXX2

ANYCONN® 东莞市恩康电子有限公司

www.enkcom.com

DONGGUAN ANYCONN ELECTRONICS CO.,LTD

TOLERANCE	PROJECTON	TITLE:
ANGLE ±5°	DATE : 2016-5-26	PH-nAB
X.XXX ±0.10	DRAWN : ZHANG	PART NO: WFBR11XXXXXXXXNRXX2
X.XX ±0.20	CHECKED :	DRAWING NO:
X.X ±0.30	APPROVED :	REV: A0 UNIT: mm SCALE: 3:1 SIZE: A4
X. ±0.50		

4

3

2

1