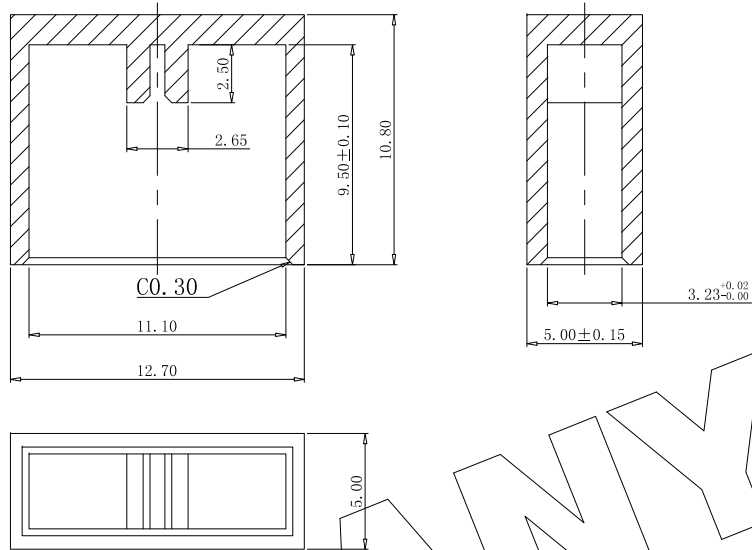


# 排针CAP(全包2\*5P专用)



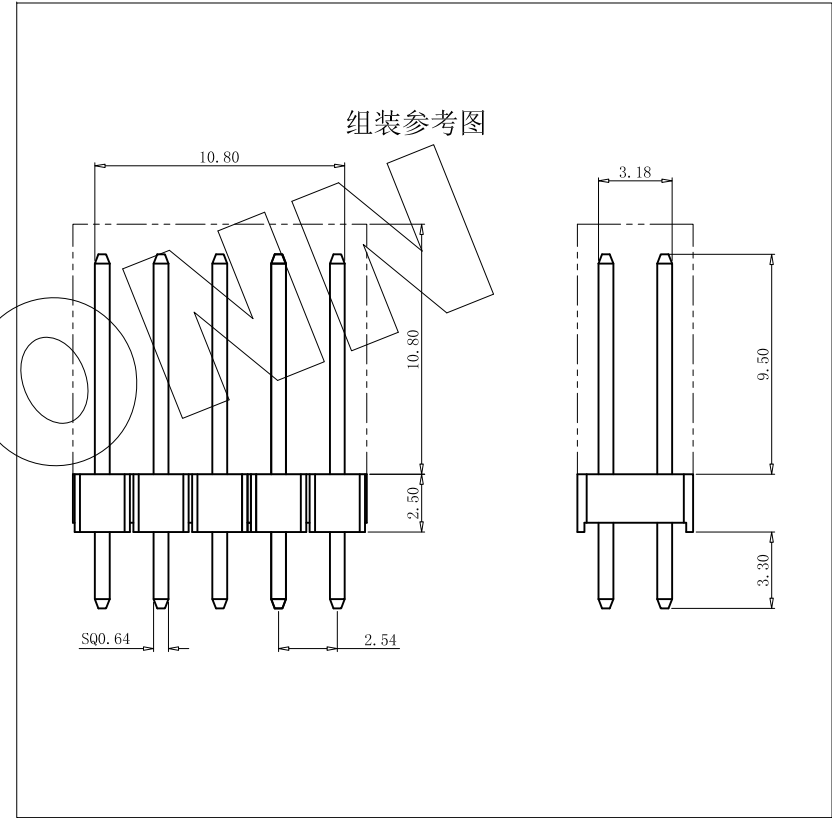
## Technical Data

Material:  
Standard: PA6T +30%G.F UL94V-0

Electrical:  
Insulation resistance:  $\geq 1000M\Omega$  at V=100V

Soldering temperature: +260°C max(PA6T)

REVISION DATA		
REV	DESCRIPTION	DATE
A0	NEW DRAWING	2012-02-05



<b>ANYCONN®</b> 东莞市恩康电子有限公司					
www.enkcom.com			<b>DONGGUAN ANYCONN ELECTRONICS CO.,LTD</b>		
TOLERANCE	PROJECTON		TITLE:		
ANGLE ±5°	DATE :	2012-02-05	2.54mm Pin Header CAP For 2*5P		
X.XXX ±0.10	DRAWN :	jason	PART NO: BSE039		
X.XX ±0.20	CHECKED :		DRAWING NO:		
X.X ±0.30	APPROVED :		REV: A0	UNIT: mm	SCALE: 1:1
X. ±0.50					SIZE: A4