

4

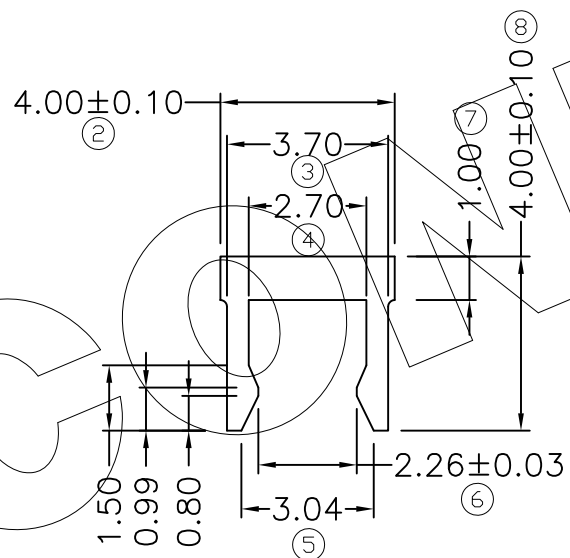
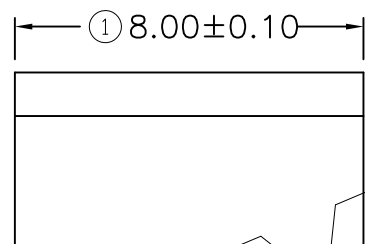
3

2

1

REVISION DATA

REV	DESCRIPTION	DATE
A0	NEW DRAWING	2011-10-28



备注:

1.材质: LCP 黑色 , UL94 - V0

2.产品外观不得有缺胶, 披锋, 顶白, 缩水, 毛边等不良现象

ANYCONN® 东莞市恩康电子有限公司

www.enkcom.com

DONGGUAN ANYCONN ELECTRONICS CO.,LTD

TOLERANCE	PROJECTON		TITLE:
ANGLE ±5°	DATE :	2011-10-28	排母PH2.0 W2.5 单排排母CAP帽
X.XXX ±0.10	DRAWN :	Lijunhua	PART NO: BSE001
X.XX ±0.20	CHECKED :		DRAWING NO: EP-BSE-002
X.X ±0.30	APPROVED :		REV: A1
X. ±0.50			UNIT: mm
			SCALE: 1:1
			SIZE: A4

4

3

2

1