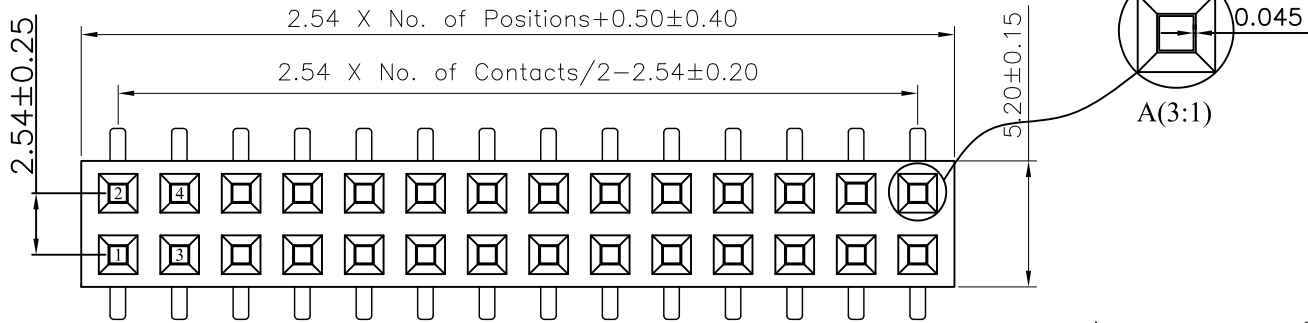


REVISION DATA		
REV	DESCRIPTION	DATE
A0	NEW DRAWING	2013-06-19



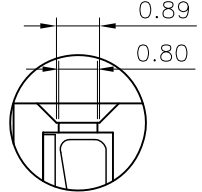
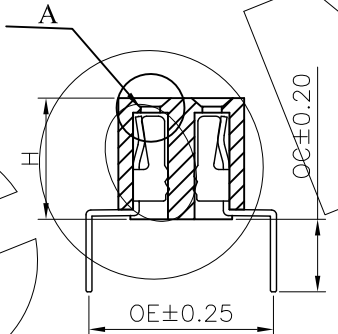
Technical Data

Material:
Contact Material: Phosphor Bronze
Contact plating: Au or Sn Over 50μ" Ni
Insulator Material: Black Polyester UL94V-0
Standard: PA6T+30%G.F

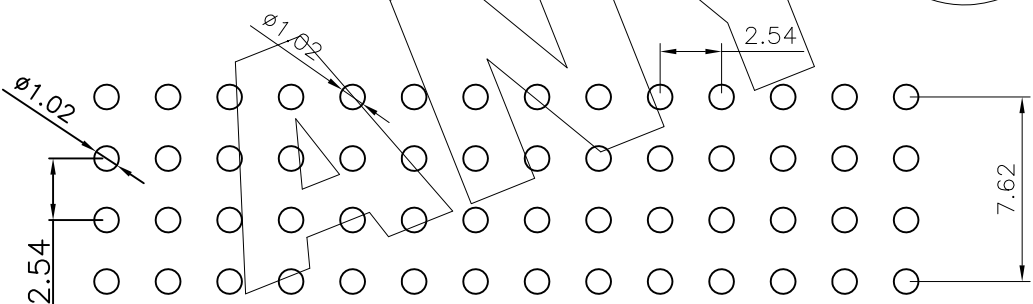
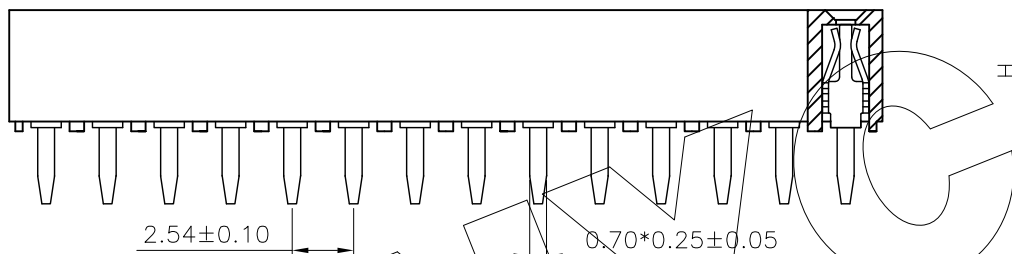
Electrical:
Current rating: 3Amps/contact max.
Contact resistance: ≤20mΩ/contact
Insulation resistance: ≥1000MΩ at V=100V
Withstanding Voltage: 1000V AC/minute

Mechanical:
Operating temperatures: Gold Plated: -55°C to +105°C
 Tin plated: -40°C to +105°C
Soldering temperature: +260°C, 10s max.

Packing: Tube



DETAIL "A"



P.C.B LAYOUT

F128	12	XXX	XX	U	X	B	N	D	01
Product Descriptions F128 H=5.0	Product Type 12 Dual row	No. of Positions XXX Poles	Pin Plating G1 Gold 1u" SN Tin Plated	Angle options U U型弯角	Insulator Material A PBT B PA66 C PA6T D LCP	Color B Black W White L Blue G Green Y Yellow R Red N Natural		Series NO. D OC=3.00mm OE=7.62mm	

ANYCONN® 东莞市恩康电子有限公司
 www.enkcom.com **DONGGUAN ANYCONN ELECTRONICS CO.,LTD**

TOLERANCE	PROJECTON		TITLE: Pitch 2.54 H5.0 W5.20mm Double Row Right Angle DIP Type OE7.62 Female Header
ANGLE ±5°	DATE :	2013-01-07	PART NO: F12812XXXXXUXBND01
X.XXX ±0.10	DRAWN :	Zhang	DRAWING NO:
X.XX ±0.20	CHECKED :		REV: A0 UNIT: mm SCALE: 1:1 SIZE: A4
X.X ±0.30	APPROVED :		
X. ±0.50			