

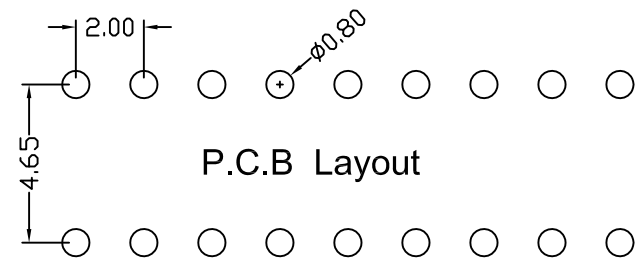
REVISION DATA		
REV	DESCRIPTION	DATE
A0	NEW DRAWING	2015-7-17

Technical Data

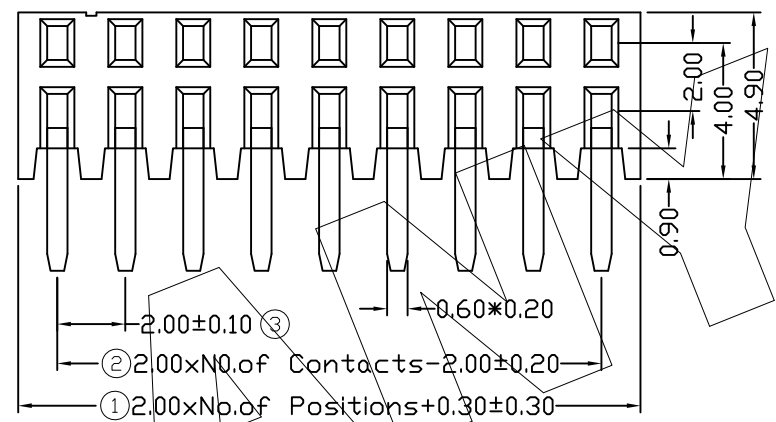
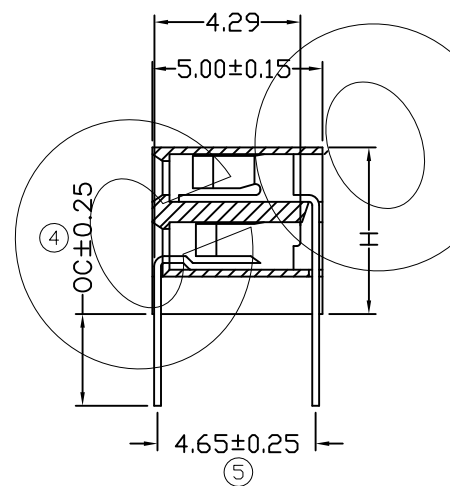
Material:
 Contact Material: Phosphor Bronze
 Contact plating: Au or Sn Over 50μ" Ni
 Insulator Material: Black Polyester UL94V-0
 Standard: PA6T+30%G.F

Electrical:
 Current rating: 1.5Amps/contact max.
 Contact resistance: ≤20mΩ/contact
 Insulation resistance: ≥1000MΩ at V=100V
 Withstanding Voltage: 450V AC/minute

Mechanical:
 Operating temperatures: Gold Plated: -55°C to +105°C
 Tin plated: -40°C to +105°C
 Soldering temperature: +260°C, 10s max.



P.C.B Layout



F157	12	XXX	XX	R	X	X	N	X	00
Product Descriptions F157 H=4.9	Product Type 12 Dual Row	No. of Positions XXX Poles	Pln Plating G0 Gold Flash G1 1u" Au SN Tin Plated	Angle options R Ringht Angle	Insulator Material C PA6T D LCP	Color B Black W White L Blue G Green Y Yellow R Red N Natural		Series NO.	

ANYCONN® 东莞市恩康电子有限公司
 www.enkcom.com **DONGGUAN ANYCONN ELECTRONICS CO.,LTD**

TOLERANCE	PROJECTON		TITLE: PH2.0 H4.9mm Double Row Ringht Angle Female Header
ANGLE ±5°	DATE :	2015-07-17	PART NO: F15712XXXXXXRXXNX00
X.XXX ±0.10	DRAWN :	Songjun	
X.XX ±0.20	CHECKED :		DRAWING NO:
X.X ±0.30	APPROVED :		REV: A0 UNIT: mm SCALE: 1:1 SIZE: A4
X. ±0.50			