

4

3

2

1

REVISION DATA

REV	DESCRIPTION	DATE
A0	NEW DRAWING	2015-06-02

Technical Data

Material:

Contact Material: Brass

Contact plating: Au or Sn Over 50 μ " Ni

Insulator Material: Black Polyester UL94V-0

Standard: PA6T+30%G.F

Electrical:

Current rating: 3.0Amps/contact max.

Contact resistance: $\leq 20\text{m}\Omega$ /contactInsulation resistance: $\geq 1000\text{M}\Omega$ at V=100V

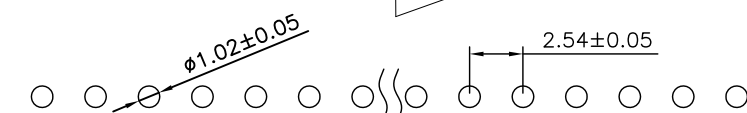
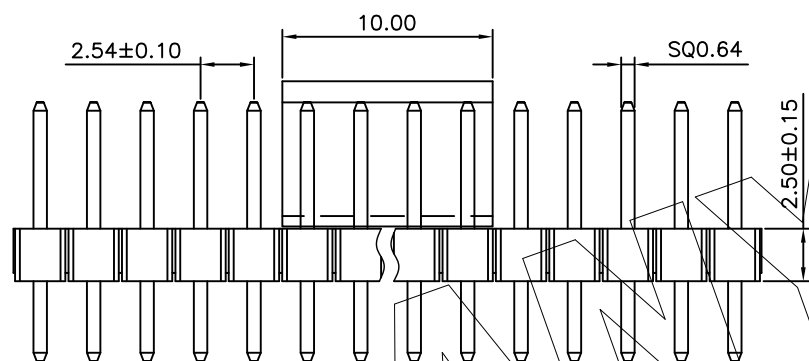
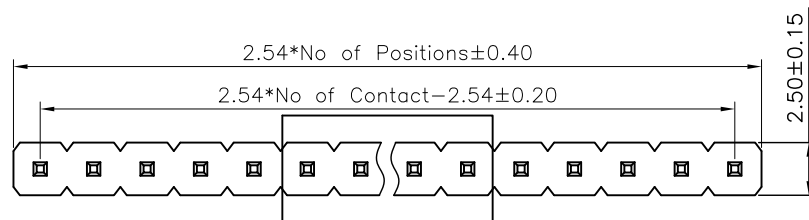
Withstanding Voltage: 1000V AC/minute

Mechanical:

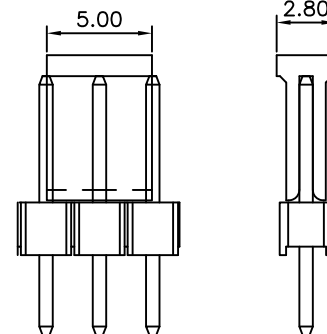
Mechanical life cycle: min.200

Operating temperatures: Gold Plated: -55 $^{\circ}\text{C}$ to +105 $^{\circ}\text{C}$ Tin plated: -40 $^{\circ}\text{C}$ to +105 $^{\circ}\text{C}$ Soldering temperature: +260 $^{\circ}\text{C}$ 10s max.(PA6T)

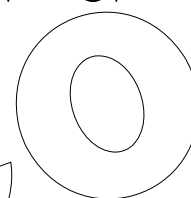
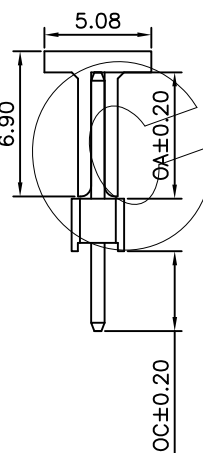
PACKING: REEL



P.C.B LAYOUT



1X2P~3P



P120	11	XXX	XX	D	X	X	N	DXXX
Product Descriptions P120 H=2.5	Product Type 11 Single row	No. of Positions XXX Poles	Pin Plating G0 Gold Flash G1 1u" Au SN Tin plated S1 半金锡1u" S8 半金锡30u"	Angle options D Straight	Insulator Material A PBT B PA66 C PA6T D LCP	Color B Black W White L Blue G Green Y Yellow R Red N Natural		Pin length(mm) L=12.3mm

ANYCONN® 东莞市恩康电子有限公司

www.enkcom.com

DONGGUAN ANYCONN ELECTRONICS CO.,LTD

TOLERANCE	PROJECTON	TITLE:
ANGLE $\pm 5^{\circ}$	DATE : 2015-06-02	2.54mm Pin Header Single Row Straight Pin Length 12.3 mm
X.XXX ± 0.10	DRAWN : Songjun	PART NO: P12011XXXXDXXXNDXXX
X.XX ± 0.20	CHECKED :	DRAWING NO:
X.X ± 0.30	APPROVED :	REV: A0 UNIT: mm SCALE: N:A SIZE: A4
X. ± 0.50		

4

3

2

1