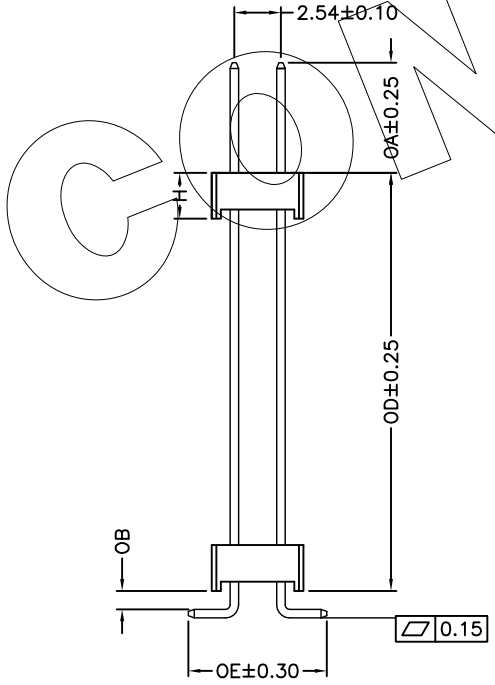
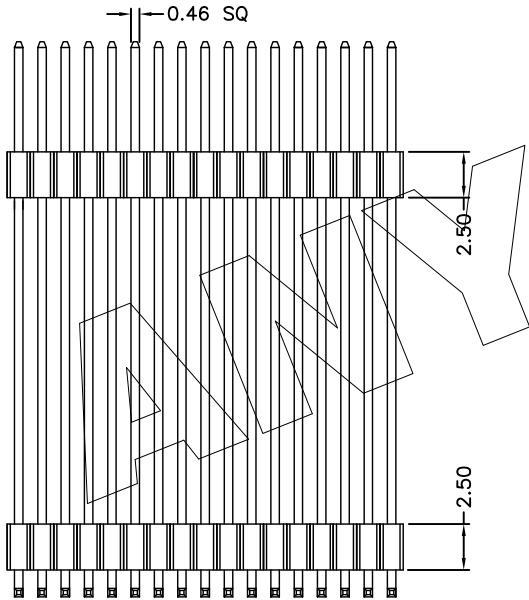
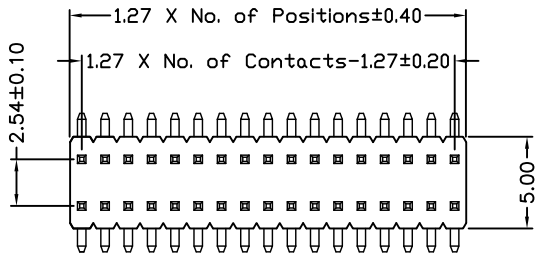


REVISION DATA		
REV	DESCRIPTION	DATE
A0	NEW DRAWING	2012-11-15

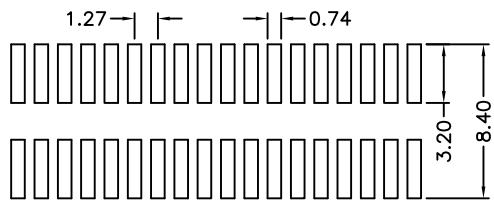


Technical Data

Material:
 Contact Material: Brass
 Contact plating: Au or Sn Over 50μ" Ni
 Insulator Material: Black Polyester UL94V-0
 Standard: PBT or PA6T +30%G.F

Electrical:
 Current rating: 3.0Amps/contact max.
 Contact resistance: ≤20mΩ/contact
 Insulation resistance: ≥1000MΩ at V=100V
 Withstanding Voltage: 1000V AC/minute

Mechanical:
 Mechanical life cycle: min.200
 Operating temperatures: Gold Plated: -55°C to +105°C
 Tin plated: -40°C to +105°C
 Soldering temperature: +220°C max(PBT),
 +260°C max(PA6T).



P.C.B LAYOUT

P117	22	XXX	XX	S	X	X	N	SXXX
Product Descriptions P117 PH1.27*2.54 H=2.5	Product Type 22 Double row Double Base	No. of Positions XXX Poles	Pin Plating G0 Gold Flash SN Tin Plated	Angle options S SMT	Insulator Material A PBT B PA66 C PA6T D LCP	Color B Black W White L Blue G Green Y Yellow R Red N Natural		Pin length(mm) L=32.28mm

ANYCONN® 东莞市恩康电子有限公司
 www.enkcom.com **DONGGUAN ANYCONN ELECTRONICS CO.,LTD**

TOLERANCE	PROJECTON		TITLE: PH1.27*2.54 H2.5mm Double Row Dual Base S.M.T Pin Header
ANGLE ±5°	DATE :	2012-11-15	PART NO: P11722XXXXXXNSXXX
X.XXX ±0.10	DRAWN :	Zhang	DRAWING NO:
X.XX ±0.20	CHECKED :		REV: A0 UNIT: mm SCALE: 1:1 SIZE: A4
X.X ±0.30	APPROVED :		
X. ±0.50			