

4

3

2

1

## REVISION DATA

REV	DESCRIPTION	DATE
A0	NEW DRAWING	2012-10-26

## Technical Data

## Material:

Contact Material: Brass

Contact plating: Au or Sn Over 50 $\mu$ m Ni

Insulator Material: Black Polyester UL94V-0

Standard: PA6T or PBT +30%G.F

## Electrical:

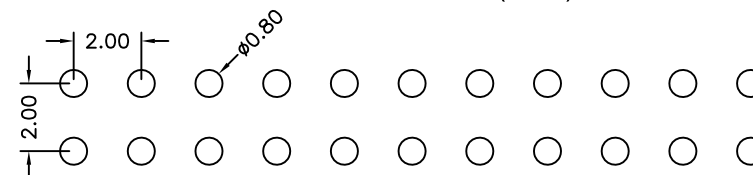
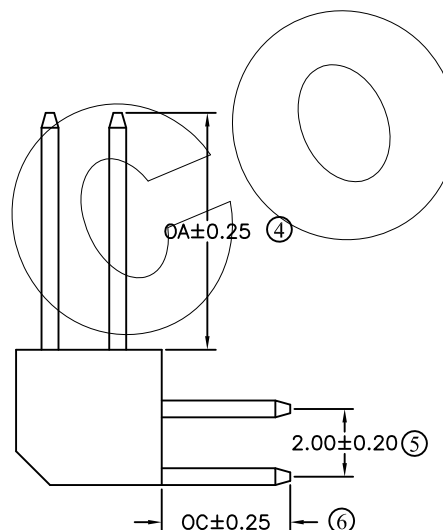
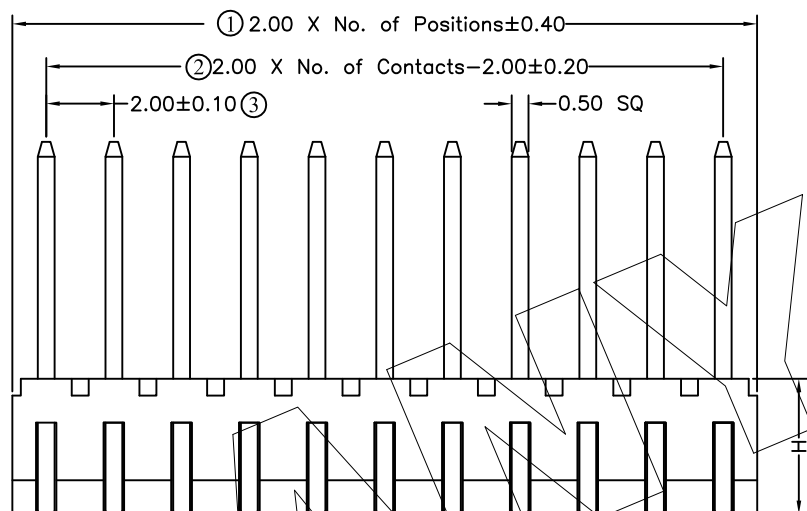
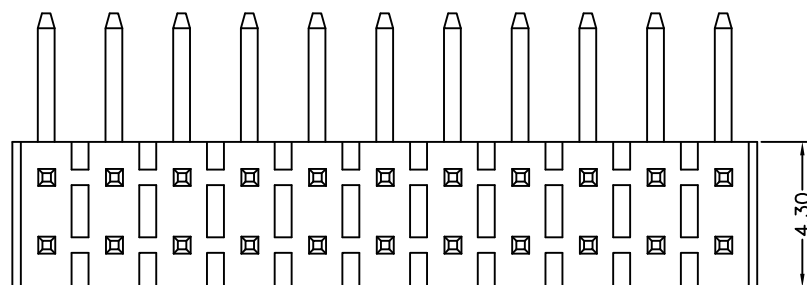
Current rating: 3.0Amps/contact max.

Contact resistance:  $\leq 20\text{m}\Omega$ /contactInsulation resistance:  $\geq 1000\text{M}\Omega$  at V=100V

Withstanding Voltage: 1000V AC/minute

## Mechanical:

Mechanical life cycle: min.200

Operating temperatures: Gold Plated: -55 $^{\circ}\text{C}$  to +105 $^{\circ}\text{C}$ Tin plated: -40 $^{\circ}\text{C}$  to +105 $^{\circ}\text{C}$ Soldering temperature: +260 $^{\circ}\text{C}$  max(PA6T)+220 $^{\circ}\text{C}$  max(PBT)

## P.C.B LAYOUT

P119	12	XXX	XX	R	X	X	N	RXXX
Product Descriptions P119 H=4.0	Product Type 12 Dual Row	No. of Positions XXX Poles	Pin Plating G0 Gold Flash SN Tin plated	Angle options R Right Angle	Insulator Material A PBT B PA66 C PA6T D LCP	Color B Black W White L Blue G Green Y Yellow R Red N Natural		Pin length(mm) L=13.6/17.6mm

ANYCONN® 东莞市恩康电子有限公司

www.enkcom.com

DONGGUAN ANYCONN ELECTRONICS CO.,LTD

TOLERANCE	PROJECTON	TITLE:
ANGLE $\pm 5^{\circ}$	DATE : 2012-10-26	2.0mm Pin Header Double Row Right Angle Length 13.6/17.6mm
X.XXX $\pm 0.10$	DRAWN : kanggc	PART NO: P11912XXXXXXRXXNRXXX
X.XX $\pm 0.20$	CHECKED :	DRAWING NO: EP-P11912-002
X.X $\pm 0.30$	APPROVED :	REV: A0 UNIT: mm SCALE: 1:1 SIZE: A4
X. $\pm 0.50$		

4

3

2

1