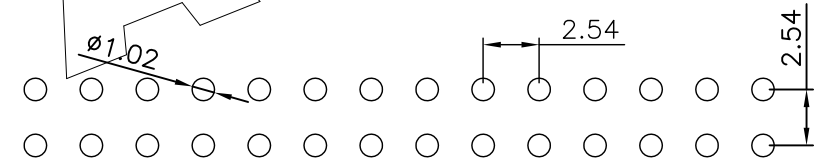
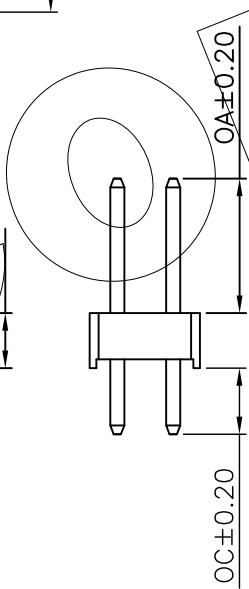
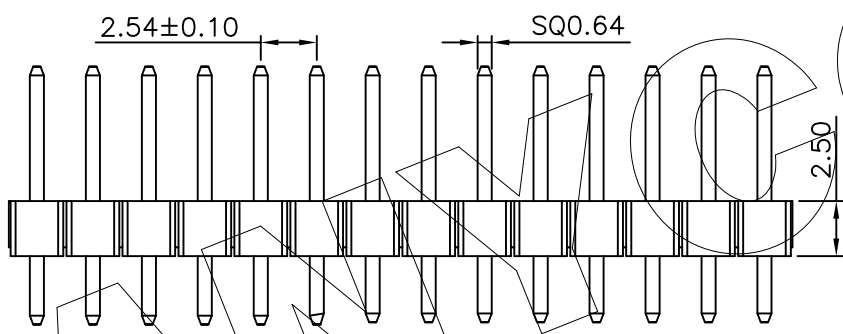
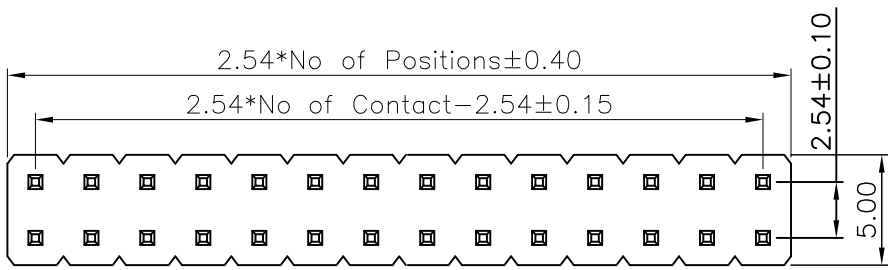


REVISION DATA		
REV	DESCRIPTION	DATE
A0	NEW DRAWING	2015-06-04



P.C.B LAYOUT

Technical Data

Material:
Contact Material: Brass
Contact plating: Au or Sn Over 50μ" Ni
Insulator Material: Black Polyester UL94V-0
Standard: PBT or PA6T+30%G.F

Electrical:
Current rating: 3.0Amps/contact max.
Contact resistance: ≤20mΩ/contact
Insulation resistance: ≥1000MΩ at V=100V
Withstanding Voltage: 1000V AC/minute

Mechanical:
Mechanical life cycle: min.200
Operating temperatures: Gold Plated: -55°C to +105°C
Tin plated: -40°C to +105°C
Soldering temperature: +260°C max.(PA6T)
+220°C max.(PBT)

P120	12	XXX	XX	D	X	X	N	DXXX
Product Descriptions P120 H=2.5	Product Type 12 Dual Row	No. of Positions XXX Poles	Pin Plating G0 Gold Flash SN Tin plated	Angle options D Straight	Insulator Material A PBT B PA66 C PA6T D LCP	Color B Black W White L Blue G Green Y Yellow R Red N Natural		Pin length(mm)

ANYCONN® 东莞市恩康电子有限公司			
www.enkcom.com		DONGGUAN ANYCONN ELECTRONICS CO.,LTD	
TOLERANCE	PROJECTON		TITLE:
ANGLE ±5°	DATE :	2015-06-04	2.54mm Pin Header Double Row Straight
X.XXX ±0.10	DRAWN :	Songjun	PART NO: P12012XXXXDXNDXXX
X.XX ±0.20	CHECKED :		DRAWING NO:
X.X ±0.30	APPROVED :		REV: A0 UNIT: mm SCALE: 1:1 SIZE: A4
X. ±0.50			