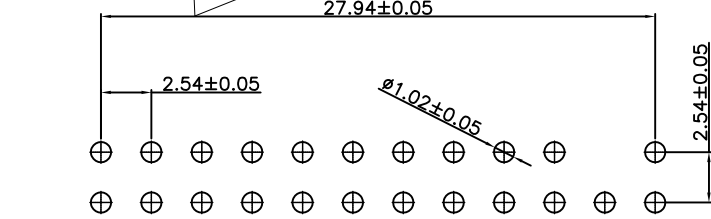
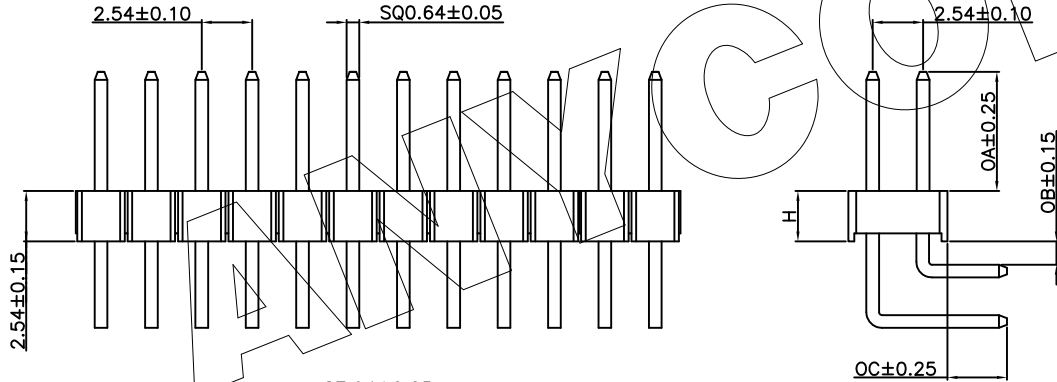
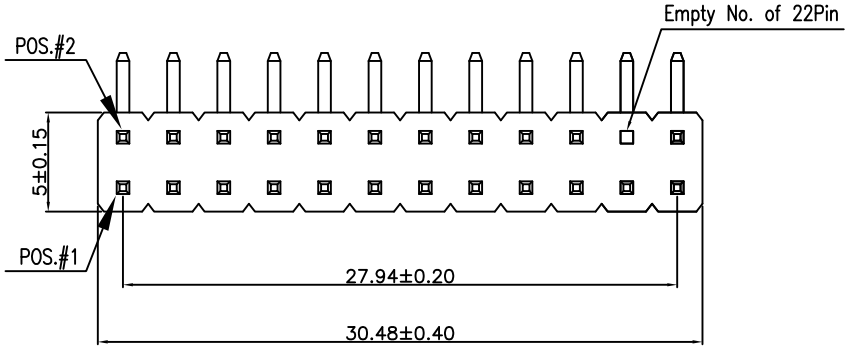


REVISION DATA		
REV	DESCRIPTION	DATE
A0	NEW DRAWING	2013-05-03



P.C.B LAYOUT

Technical Data

Material:
 Contact Material: Brass
 Contact plating: Au or Sn Over 50u" Ni
 Insulator Material: Black Polyester UL94V-0
 Standard: LCP +30%G.F

Electrical:
 Current rating: 3.0Amps/contact max.
 Contact resistance: $\leq 20m\Omega$ /contact
 Insulation resistance: $\geq 1000M\Omega$ at V=100V
 Withstanding Voltage: 1000V AC/minute

Mechanical:
 Mechanical life cycle: min.200
 Operating temperatures: Gold Plated: -55°C to +105°C
 Tin plated: -40°C to +105°C
 Soldering temperature: +245°C max

P120	12	024	XX	R	X	X	N	N006
Product Descriptions P120 H=2.5	Product Type 12 Dual Row	No. of Positions XXX Poles	Pin Plating G0 Gold Flash G1 1u"Au SN Tin Plated	Angle options R Right Angle	Insulator Material A PBT B PA66 C PA6T D LCP	Color B Black W White L Blue G Green Y Yellow R Red N Natural		Pin length(mm) L=13.95/19.0

ANYCONN® 东莞市恩康电子有限公司
 www.enkcom.com **DONGGUAN ANYCONN ELECTRONICS CO.,LTD**

TOLERANCE	PROJECTON		TITLE: 2.54mm Pin Header Double Row Right Angle Pin Length 13.95/19.0mm
ANGLE $\pm 5^\circ$	DATE :	2013-05-03	PART NO: P12012024XXRXXNN006
X.XXX ± 0.10	DRAWN :	Zhang	DRAWING NO:
X.XX ± 0.20	CHECKED :		REV: A0 UNIT: mm SCALE: 3:1 SIZE: A4
X.X ± 0.30	APPROVED :		
X. ± 0.50			