

4

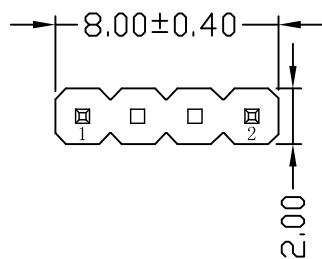
3

2

1

REVISION DATA

REV	DESCRIPTION	DATE
A0	NEW DRAWING	2013-02-18

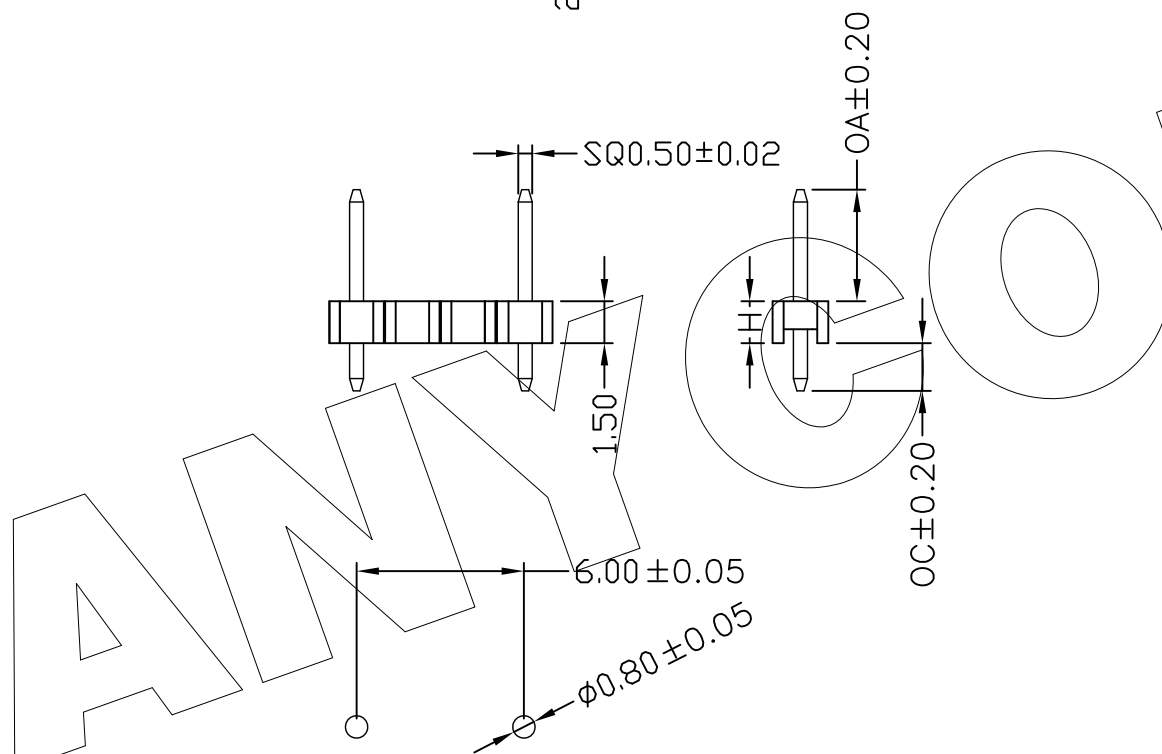


Technical Data

Material:
 Contact Material: Brass
 Contact plating: Au or Sn Over 50 μ " Ni
 Insulator Material: Black Polyester UL94V-0
 Standard: PA6T+30%G.F

Electrical:
 Current rating: 1.5Amps/contact max.
 Contact resistance: $\leq 20\text{m}\Omega$ /contact
 Insulation resistance: $\geq 1000\text{M}\Omega$ at V=100V
 Withstanding Voltage: 450V AC/minute

Mechanical:
 Mechanical life cycle: min.200
 Operating temperatures: Gold Plsted: -55 $^{\circ}\text{C}$ to +105 $^{\circ}\text{C}$
 Tin plated: -40 $^{\circ}\text{C}$ to +105 $^{\circ}\text{C}$
 Soldering temperature: +260 $^{\circ}\text{C}$ 10s max (PA6T).



P.C.B Layout

P128

11

XXX

XX

D

X

X

N

NXXX

Product Descriptions
P128 H=1.5

Product Type
11 Single row

No. of Positions
XXX Poles

Pin Plating
G0 Gold Flash
G1 1u" Au
SN Tin plated
M1 半金雾锡

Angle options
D Straight

Insulator Material
A PBT
B PA66
C PA6T
D LCP
F PA9T

Color
B Black
W White
L Blue
G Green
Y Yellow
R Red
N Natural

Pin length(mm)
L=13.9mm

ANYCONN® 东莞市恩康电子有限公司

www.enkcom.com

DONGGUAN ANYCONN ELECTRONICS CO.,LTD

TOLERANCE	PROJECTON		TITLE:
ANGLE $\pm 5^{\circ}$	DATE :	2013-02-18	PH2.0 H1.5 Single Row Straight Pin Header Length13.9mm
X.XXX ± 0.10	DRAWN :	Zhang	PART NO: P12811XXXXDXNNXXX
X.XX ± 0.20	CHECKED :		DRAWING NO:
X.X ± 0.30	APPROVED :		REV: A0 UNIT: mm SCALE: 1:1 SIZE: A4
X. ± 0.50			

4

3

2

1