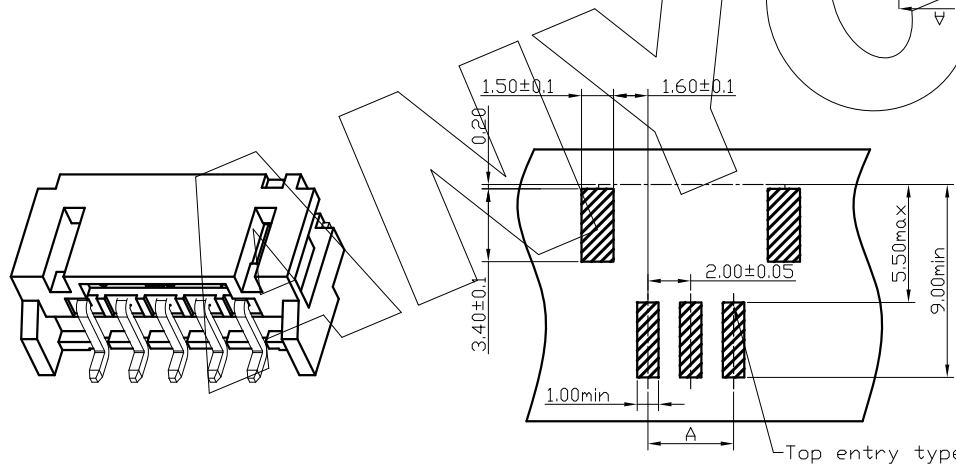
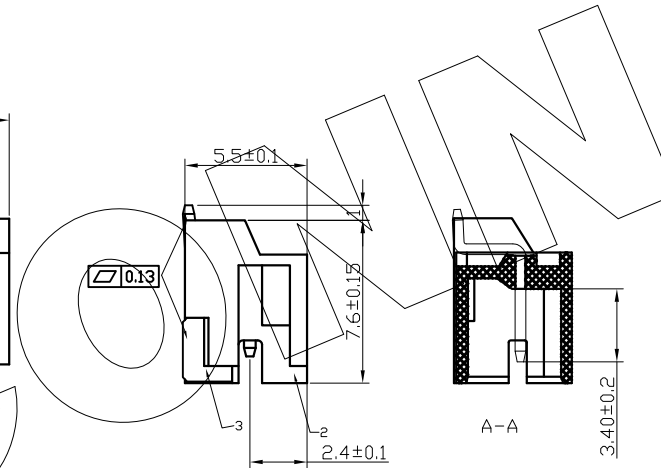
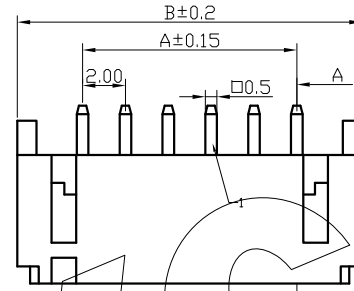
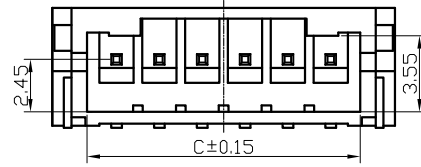


孔位 poles	A	B	C
2	2.00	8.00	4.75
3	4.00	10.00	6.75
4	6.00	12.00	8.75
5	8.00	14.00	10.75
6	10.00	16.00	12.75
7	12.00	18.00	14.75
8	14.00	20.00	16.75
9	16.00	22.00	18.75
10	18.00	24.00	20.75
11	20.00	26.00	22.75
12	22.00	28.00	24.75
13	24.00	30.00	26.75
14	26.00	32.00	28.75
15	28.00	34.00	30.75
16	30.00	36.00	32.75

REVISION DATA

REV	DESCRIPTION	DATE
A0	NEW DRAWING	2016-5-26



Electrical properties

1. Current rating: 2A AC/DC (AWG #26)
2. Voltage rating: 250V AC/DC
3. Temperature range: -25°C to 85°C
4. Contact resistance: Initial value/20mΩ max
5. Insulation resistance: 1000MΩ min
6. Withstanding voltage: 1000V AC/minute
7. Applicable wire: AWG #24 to #28

Environmental controls

1. Banned contains SS - 00259 are restricted substance **s**.
2. The corresponding issued by SGS or ITS icp-aes data, Not the material in a list, and validity.

序号	名称	材料
1	插针	黄铜 (镀底40u"-100u", 镀锡80u"-200u")
2	底座	LCP (UL94-0)
3	焊片	磷青铜 (镀底40u"-100u", 镀锡80u"-200u")

WF	B	S	11	XXX	XX	X	N	SXX2
	Pitch B PH2.0	S SMT	XX Positions	XXX Positions	G0 Gold Flash SN Tin Plated	Insulator Material A PBT B PA66 C PA6T P PC F PA9T	W With peg N NO Peg L With lock T Fixed tabs	SXX2

ANYCONN® 东莞市恩康电子有限公司
www.enkcom.com **DONGGUAN ANYCONN ELECTRONICS CO.,LTD**

TOLERANCE ANGLE ±5° X.XXX ±0.10 X.XX ±0.20 X.X ±0.30 X. ±0.50	PROJECTON		TITLE: PH-nAWB
	DATE:	2016-5-26	PART NO: WFBS11XXXXXXXXNSXX2
	DRAWN:	ZHANG	DRAWING NO:
	CHECKED:		REV: A0 UNIT: mm SCALE: 3:1 SIZE: A4
APPROVED:			