

4

3

2

1

REVISION DATA

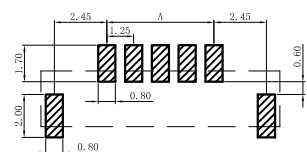
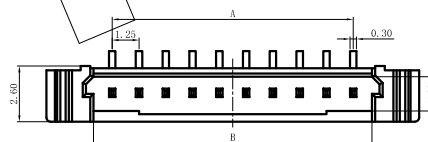
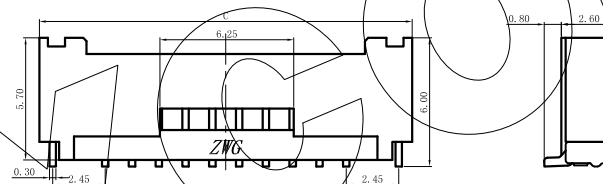
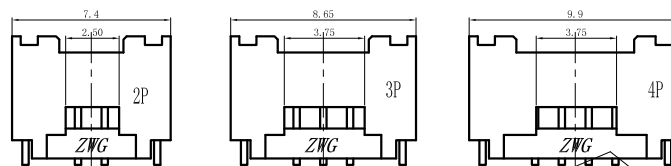
REV	DESCRIPTION	DATE
A0	NEW DRAWING	2016-5-26

Electrical properties

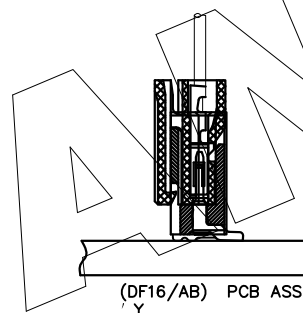
- 1、Current rating:1A AC\DC (AWG #26)
- 2、Voltage rating: 200V AC\DC
- 3、Temperature range: -25°C to 85°C
- 4、Contact resistance:Initial value/30mΩ max
- 5、Insulation resistance:100MΩ min
- 6、Withstanding voltage:1000V AC/ minute
- 7、Applicable wire:AWG #28 to #24

Environmental controls

- 1、Banned contains SS - 00259 are restricted substances.
- 2、The corresponding issued by SGS or ITS icp-aes data, Not the material in a list, and validity.



(DF16/AB) PCB LAYOUT



PIN	A	B	C
2	1.25	3.0	7.4
3	2.5	4.25	8.65
4	3.75	5.5	9.9
5	5.0	6.75	11.15
6	6.25	8.0	12.4
7	7.5	9.25	13.65
8	8.75	10.5	14.9
9	10.0	11.75	16.15
10	11.25	13.0	17.4
11	12.5	14.25	18.65
12	13.75	15.5	19.9
13	15.0	16.75	20.15
14	16.25	18.0	22.4
15	17.5	19.25	23.65
16	18.75	20.5	24.9
17	20.0	21.75	26.15
18	21.25	23.0	27.4
19	22.5	24.25	28.65
20	23.75	25.5	29.9
25	30.0	31.75	36.15
30	35.75	38.0	42.4

3	003	基座	LCP(Ein130)	1	
2	002	接触件	磷青铜	N*	镀锡
1	001	焊片	磷青铜	2	镀锡
序号	图号	名称	材料	数量	附件

WF	C	R	11	XXX	XX	X	N	RXXX
	Pitch C PH1.25	R 90°	XX Positions	XXX Positions	G0 Gold Flash SN Tin Plated	Insulator Material A PBT B PA66 C PA6T P PC F PA9T	W With peg N NO Peg L With lock T Fixed tabs	RXXX

ANYCONN® 东莞市恩康电子有限公司

www.enkcom.com

DONGGUAN ANYCONN ELECTRONICS CO.,LTD

TOLERANCE	PROJECTON		TITLE:	DF16-AB
ANGLE ±5°	DATE:	2016-5-26	PART NO:	WFCR11XXXXXXXXNRXXX
X.XXX ±0.10	DRAWN:	ZHANG	DRAWING NO:	
X.XX ±0.20	CHECKED:		REV:	A0
X.X ±0.30	APPROVED:		UNIT:	mm
X. ±0.50			SCALE:	3:1
			SIZE:	A4

4

3

2

1