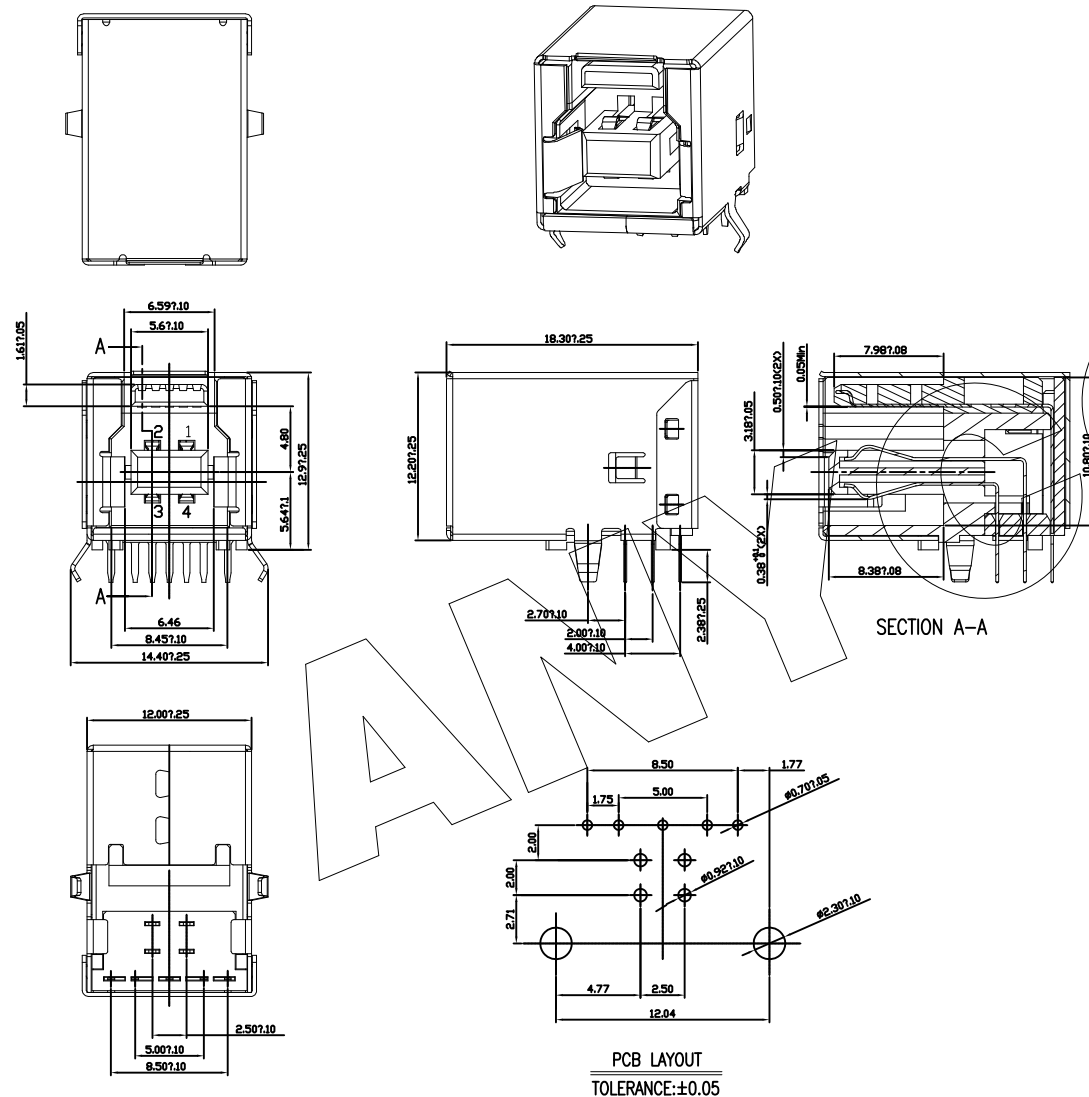


REVISION DATA

REV	DESCRIPTION	DATE
A0	NEW DRAWING	2016-5-26

NOTE:

- 1.MATERIAL:
 - 1.1 INSULATOR:HIGH TEMPEATURE PLASTIC UL 94 V-0 BLUE
 - 1.2 CONTACT:COPPER ALLOY(T=0.20mm)
 - 1.3 SHELL:BRASS(T=0.30mm)
- 2.ELECTRICAL CHARACTERISTICS:
 - 2.1 CONTACT RESISTANCE:30mΩ MAXIMUM
 - 2.2 CONTACT CURRENT RATING:1.5A
 - 2.3 DIELECTRIC WITHSTANDING VOLTAGE:500 V R.M.S.
 - 2.4 INSULATION RESISTANCE 1000 MEGOHMS MIN
 - 2.5 OPERATING TEMPERATURE:-40°C~85°C
- 3.MECHANICAL CHARACTERISTICS:
 - 3.1 MATING FORCE:3.57kg MAX
 - 3.2 UNMATED FORCE:1.02kg MIN
 - 3.3 DURABILITY:MANDATORY:5,000 CYCLES
- 4.PLATING
 - 4.1 TERMINAL CONTACT:30" GOLD PLATING ALL OVER 50u" MIN NICKEL AND 80u" MIN Tin ALL OVER 50u" MIN NICKEL ON SOLDER AREA
 - 4.2 SHELL(SPCC): 80u" MIN NICEL OVER 20u" MIN COPPER; SHELL(COPPER): 80u" MIN NICEL.



Pin NUMBER	SIGNAL NAME
1	VBUS
2	D-
3	D+
4	GND
5	StdA_SSRX-
6	StdA_SSRX+
7	GND_DRAIN
8	StdA_SSTX-
9	StdA_SSTX+
Shell	Shield

ANYCONN® 东莞市恩康电子有限公司

www.enkcom.com

DONGGUAN ANYCONN ELECTRONICS CO.,LTD

TOLERANCE	PROJECTON		TITLE:	USB BF 3.0 插板90度		
ANGLE ±5°	DATE :	2016-5-26	PART NO:			
X.XXX ±0.10	DRAWN :	ZHANG	DRAWING NO:			
X.XX ±0.20	CHECKED :		REV:	A0	UNIT:	mm
X.X ±0.30	APPROVED :		SCALE:	3:1	SIZE:	A4
X. ±0.50						