

4

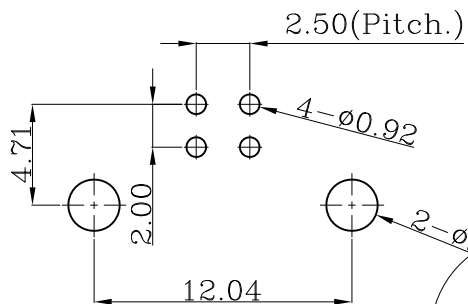
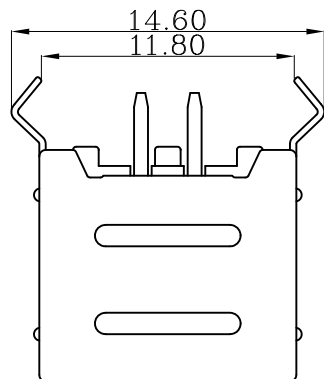
3

2

1

REVISION DATA

REV	DESCRIPTION	DATE
A0	NEW DRAWING	2016-5-26

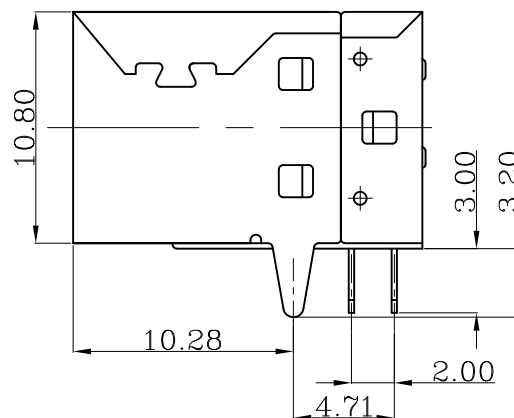
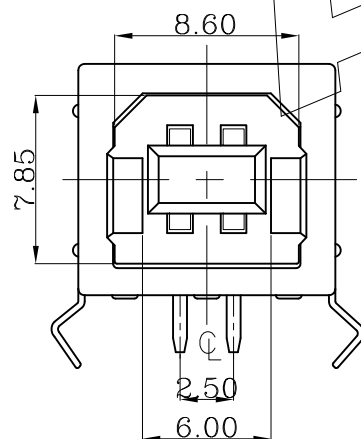
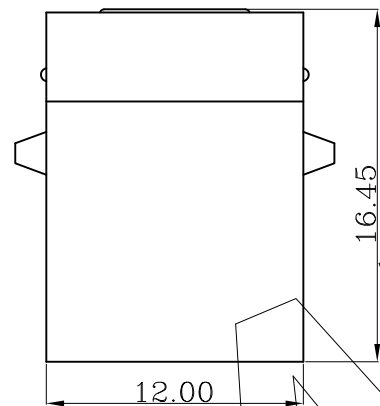
RECOMMEND PCB LAYOUT (± 0.05)

ELECTRICAL CHARACTERISTICS:
 CONTACT CURRENT RATING: 1 AMPERES
 DIELECTRIC WITHSTANDING VOLTAGE: AC 500V R.M.S.
 INSULATION RESISTANCE: 1000 MEGOHMS MINIMUM AT DC 500V.
 CONTACT RESISTANCE: 30 MILLIOHM MAXIMUM.
 OPERATING TEMPERATURE: -55° TO $+105^{\circ}$.

MECHANICAL CHARACTERISTICS:
 CONTACT INSERTION FORCE: 3.57KG MAXIMUM.
 CONTACT SEPARATION FORCE: 1.02KG MINIMUM.

MATERIALS:
 HOUSING: LCP/PBT+30%GF, UL94V-0, Black/White/Blue.
 CONTACT: C2680R-H/C5191R-H, T=0.25 \pm 0.015mm.
 SHELL: SPCC/2680R-H, T=0.30 \pm 0.01mm;

FINISHES:
 CONTACTS: GOLD FLASHED 1U", 3U", 5U", 10U", 15U", 30U".
 END OF NI-50U" MIN
 SHELL: NICKEL PLATED OVER 30~100U" MIN.



ANYCONN® 东莞市恩康电子有限公司

www.enkcom.com

DONGGUAN ANYCONN ELECTRONICS CO.,LTD

TOLERANCE	PROJECTON		TITLE:
ANGLE $\pm 5^{\circ}$	DATE :	2016-5-26	USB BF 2.0 插板90度
X.XXX ± 0.10	DRAWN :	ZHANG	PART NO:
X.XX ± 0.20	CHECKED :		DRAWING NO:
X.X ± 0.30	APPROVED :		REV: A0
X. ± 0.50			UNIT: mm
			SCALE: 3:1
			SIZE: A4

4

3

2

1