

4

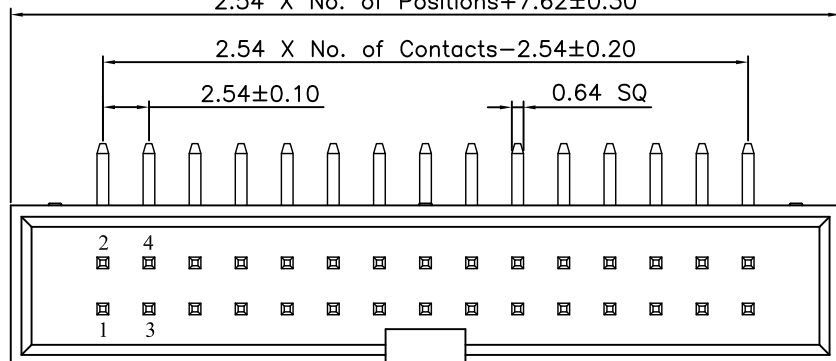
3

2

1

REVISION DATA

REV	DESCRIPTION	DATE
A0	NEW DRAWING	2015-01-17

 $2.54 \times \text{No. of Positions} + 7.62 \pm 0.30$
 $2.54 \times \text{No. of Contacts} - 2.54 \pm 0.20$
 2.54 ± 0.10
 0.64 SQ


Technical Data

Material:

Contact Material: Brass

Contact plating: Au or Sn Over $50\mu\text{m}$ Ni

Insulator Material: Black Polyester UL94V-0

Standard: PBT+30%G.F

Electrical:

Current rating: 3Amps/contact max.

Contact resistance: $\leq 20\text{m}\Omega/\text{contact}$ Insulation resistance: $\geq 1000\text{M}\Omega$ at $V=100\text{V}$

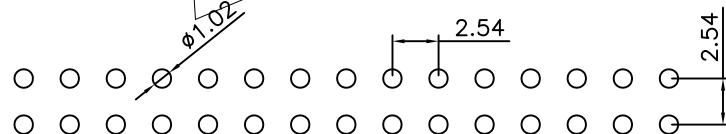
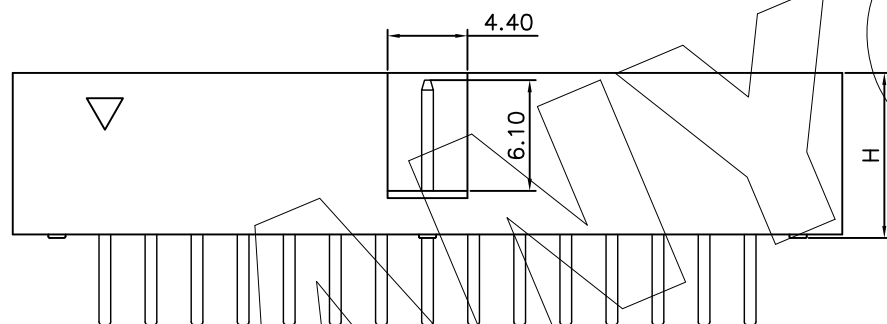
Withstanding Voltage: 550V AC/minute

Mechanical:

Operating temperatures: Gold Plated: -55°C to $+105^\circ\text{C}$ Tin plated: -40°C to $+105^\circ\text{C}$ Soldering temperature: $+220^\circ\text{C}$, 10s max.

Ordering Information

BHAXXX12RXX XBNRXXX

No. of Positions
XXX X PolesPin Plating
G0 Gold Flash
G1 Gold $1\mu\text{m}$
SN Sn $120\mu\text{m}$
S1 半金锡 $1\mu\text{m}$ Material
A PBT
C PA-6T

P.C.B LAYOUT

ANYCONN® 东莞市恩康电子有限公司

www.enkcom.com

DONGGUAN ANYCONN ELECTRONICS CO.,LTD

TOLERANCE	PROJECTON		TITLE:
ANGLE $\pm 5^\circ$	DATE :	2015-01-17	2.54mm Pitch Double Row Right Angle Box Header L16.8/21.8
X.XXX ± 0.10	DRAWN :	JANE	PART NO: BHAXXX12RXXXBNRXXX
X.XX ± 0.20	CHECKED :		DRAWING NO:
X.X ± 0.30	APPROVED :		REV: A0
X. ± 0.50			UNIT: mm
			SCALE: 1:1
			SIZE: A4

4

3

2

1