

4

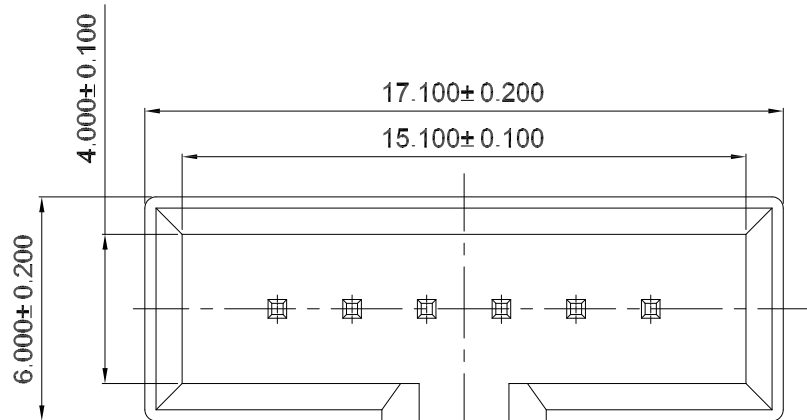
3

2

1

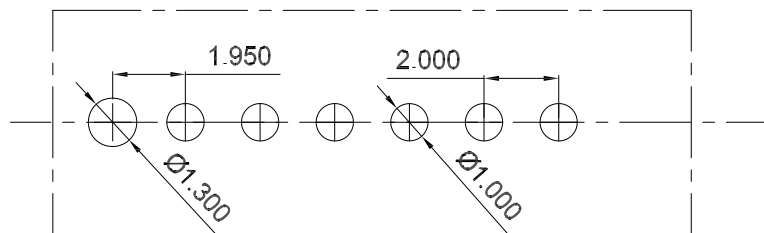
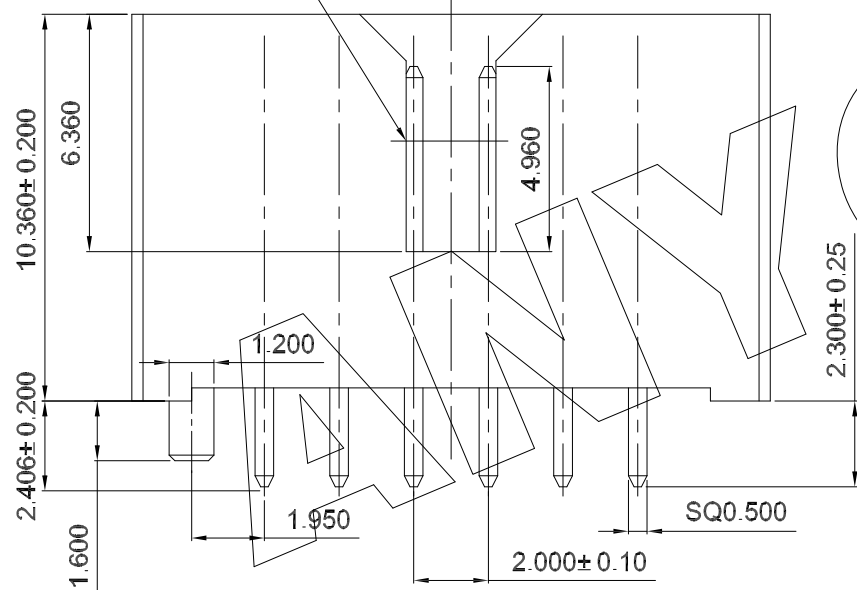
REVISION DATA

REV	DESCRIPTION	DATE
A0	NEW DRAWING	2010-05-24



测点2mm镀厚金

2.400



PCB LAYOUT

4

3

2

1

NOTES:

Material:

Contact Material: Brass

Insulator Material: Black Polyester UL94V-0

Standard: NY4T+30%GF

Electrical:

Current rating: 3Amps/contact max.

Contact resistance: $\leq 20m\Omega$ /contactInsulation resistance: $\geq 1000M\Omega$ at V=100V

Withstanding Voltage: 550V AC/minute

Mechanical:

Operating temperatures: Gold Plated: -55°C to +105°C

Tin plated: -40°C to +105°C

Soldering temperature: +240°C, 10s max.

ANYCONN® 东莞市恩康电子有限公司

www.enkcom.com

DONGGUAN ANYCONN ELECTRONICS CO.,LTD

TOLERANCE	PROJECTON		TITLE:
ANGLE $\pm 5^\circ$	DATE :	2010-05-24	2.0PITCH BOX HEADER
X.XXX ± 0.10	DRAWN :	Fuqianshan	PART NO: BHP00611DG7HBWD001
X.XX ± 0.20	CHECKED :		DRAWING NO:
X.X ± 0.30	APPROVED :		REV: A0
X. ± 0.50			UNIT: mm
			SCALE: 3:1
			SIZE: A4