

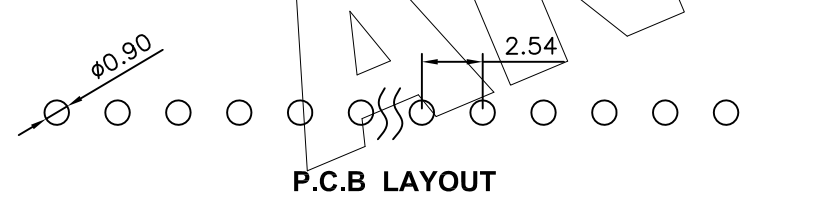
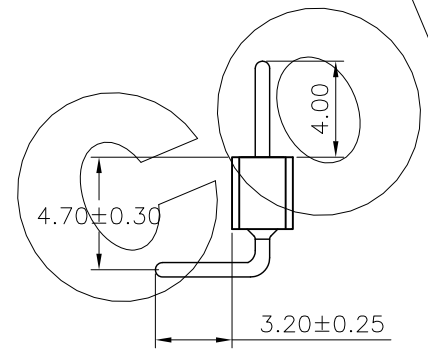
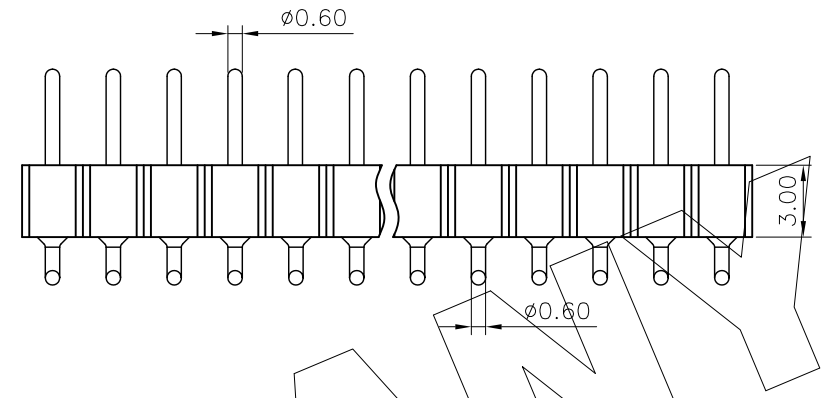
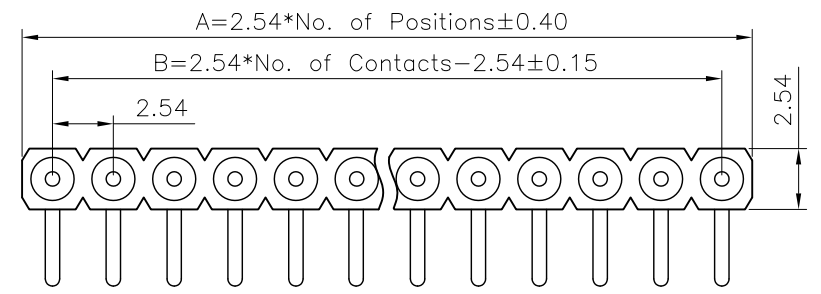
REVISION DATA		
REV	DESCRIPTION	DATE
A0	NEW DRAWING	2010-04-10

Technical Data

Material:
 Pin: Brass, machined CuZn38Pb2
 Plating:
 Tin plated: 2µm/80µ"Ni, 5µm/200µ"Sn
 Gold Plated: 2µm/80µ"Ni, Full gold
 Insulator (black): Black (PPS) UL94V-0

Electrical:
 Current rating: 3Amps/contact max.
 Contact resistance: ≤4mΩ/contact
 Insulation resistance: ≥5000MΩ at V=500V
 Dielectric Withstanding Voltage: 1000V AC Min
 Operating voltage: 60VAC/DC

Mechanical:
 Operating temperatures: Gold Plated: -55°C to +125°C
 Tin plated: -40°C to +105°C
 Soldering temperature: +260°C, 10s max.



PA	R	XXX	0	7	E	X	00	1285A	0	00
Angel Options D 180°直插 R 90°弯插 S SMT H 卧式插接 A 单排SMT 第1Pin朝下 B 单排SMT 第1Pin朝上	No. of Positions XXX Positions	Dip Spacing 0 No 1 1.27mm 2 2.54mm 3 7.62mm 4 10.16mm 6 15.24mm 9 22.86mm S Special	Insulator Height 0 No 1 1.20 mm 2 1.90 mm 3 2.00 mm 4 2.10 mm 5 2.20 mm 6 2.80 mm 7 3.00 mm 8 3.80 mm 9 4.10 mm A 4.20 mm B 7.00 mm S Special	Insulator type A PBT单排 B PBT双排 C PBT中空 D PBT非框 E PPS单排 F PPS双排 G PPS中空 H PPS非框 I PA46单排 J PA46双排 K PA46三排 L PA66单排 M LCP四排	Pin Plated 0 No 1 Tin120µ" 锡 2 Tin200µ" 锡 3 Gold60.4µ" 金 4 Gold8.8µ" 金 5 Gold1µ" 金 6 Gold1.5µ" 金 7 Gold2µ" 金 8 Gold3µ" 金 9 Gold5µ" 金 A Gold8µ" 金 B Gold10µ" 金 C Gold15µ" 金 D Gold30µ" 金 E Ag plated F Nickel80µ"	Clip plated 00 No 1 Tin120µ" 锡 2 Tin200µ" 锡 3 Gold60.4µ" 金 4 Gold8.8µ" 金 5 Gold1µ" 金 6 Gold1.5µ" 金 7 Gold2µ" 金 8 Gold3µ" 金 9 Gold5µ" 金 A Gold8µ" 金 B Gold10µ" 金 C Gold15µ" 金 D Gold30µ" 金 E Ag plated F Nickel80µ"	Pin length (mm) 1285A 12.85mm S Special	Insulator Option 0 No	Series 00 No	

ANYCONN® 东莞市恩康电子有限公司
 www.enkcom.com **DONGGUAN ANYCONN ELECTRONICS CO.,LTD**

TOLERANCE ANGLE ±5° X.XXX ±0.10 X.XX ±0.20 X.X ±0.30 X. ±0.50	PROJECTON		TITLE: 2.54mmPitch Sip Sockets Single Row Right Angle Pin Length 12.85mm
	DATE :	2010-04-10	PART NO: PARXXX07EX001285A000
	DRAWN :	LiKui	DRAWING NO: EP-PAR-009
	CHECKED :		REV: A0 UNIT: mm SCALE: 3:1 SIZE: A4
	APPROVED :		