

REVISION DATA

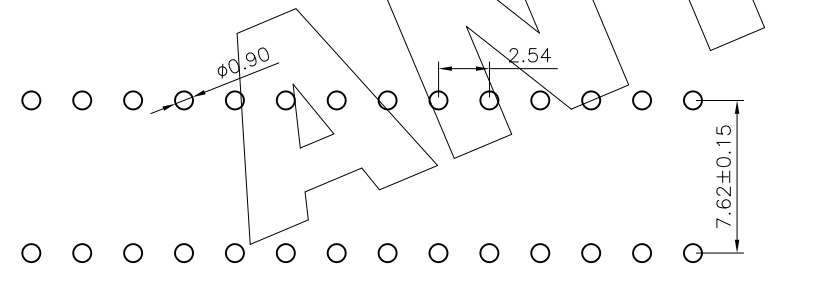
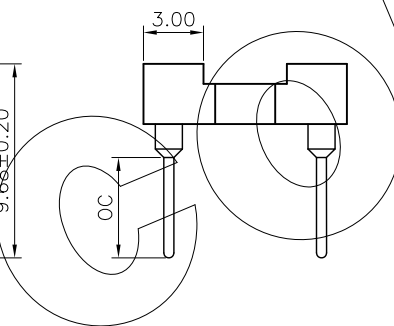
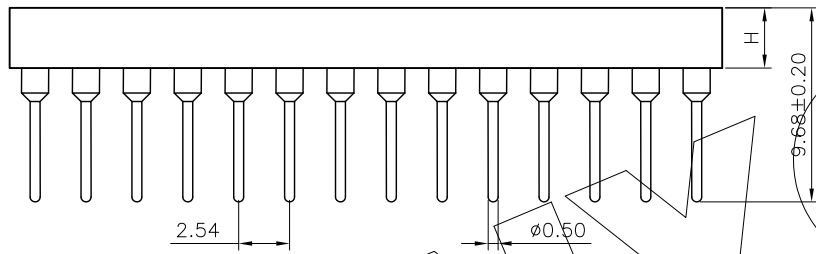
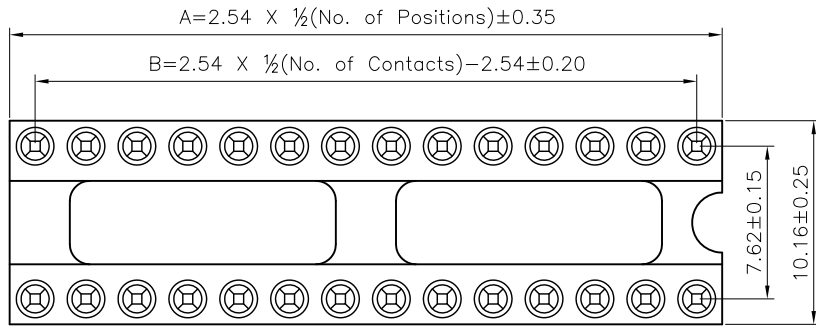
REV	DESCRIPTION	DATE
A0	NEW DRAWING	2010-03-08

Technical Data

Material:  
 Pin(outer sleeve): Brass,machined CuZn38Pb2  
 Clip(contact 4 finger): Beryllium copper,heat treated  
 Plating(outer sleeve):  
 Tin plated:2μm/80μ"Ni, 5μm/200μ"Sn  
 Gold Plated:2μm/80μ"nickelfull gold  
 Plating(contact): 2μm/80μ"nickel, gold or Tin plated  
 Insulator black(housing): PPS (UL94V-0)

Electrical:  
 Current rating: 3Amps/contact max.  
 Contact resistance: ≤4mΩ/contact  
 Insulation resistance: ≥1000MΩ at V=100V  
 Operating voltage: 60VAC/DC

Mechanical:  
 Average insertion force with steel pin of  
 Ø0.43mm/0.017": <250g  
 Average withdrawal force with steel pin of  
 Ø0.43mm/0.017": >90g min.  
 Mechanical life cycle:min.200  
 Operating temperatures: Gold Plated:-55°C to+105°C  
 Tin plated:-40°C to+105°C  
 Soldering temperature: +260°C,10s max



P.C.B LAYOUT

No. of Positions	DIM"A"	DIM"B"	TYPE
6	7.62	5.08	无 横
8	10.16	7.62	
10	12.70	10.16	
14	17.78	15.24	
16	20.32	17.78	
18	22.86	20.32	带 横
20	25.40	22.86	
24	30.48	27.94	
28	35.56	33.02	
32	40.64	38.10	
40	50.80	48.26	
48	60.96	58.42	



D	XXX	3	7	X	X	XX	0968A	R	00
Angel Options D 180°直插 R 90°折弯 S SMT H 卧式贴片 A 单排SMT 第1Pin朝下 B 单排SMT 第1Pin朝上	No. of Positions XXX Positions	Dip Spacing 0 No 1 1.27mm 2 2.54mm 3 2.00mm 4 2.10mm 5 2.20mm 6 2.80mm 7 3.00mm 8 3.80mm 9 4.10mm A 4.20mm B 7.00mm S Special	Insulator Height 0 No 1 1.20mm 2 1.90mm 3 2.00mm 4 2.10mm 5 2.20mm 6 2.80mm 7 3.00mm 8 3.80mm 9 4.10mm A 4.20mm B 7.00mm S Special	Insulator type A PBT单排 B PBT双排 C PBT中空 D PBT带杠 E PPS单排 F PPS双排 G PPS中空 H PPS带杠 I PA46单排 J PA46双排 K PA46三排 L PA66单排 M LCP四排	Pin Plated 0 No 1 Tin120μ" 锡 2 Tin200μ" 锡 3 Gold0.4μ" 金 4 Gold0.8μ" 金 5 Gold1μ" 金 6 Gold1.5μ" 金 7 Gold2μ" 金 8 Gold3μ" 金 9 Gold5μ" 金 A Gold8μ" 金 B Gold10μ" 金 C Gold15μ" 金 D Gold30μ" 金 E Ag plated F Nickel80μ" 镍	Clip plated 0 No 1 Tin120μ" 锡 2 Tin200μ" 锡 3 Gold0.4μ" 金 4 Gold0.8μ" 金 5 Gold1μ" 金 6 Gold1.5μ" 金 7 Gold2μ" 金 8 Gold3μ" 金 9 Gold5μ" 金 A Gold8μ" 金 B Gold10μ" 金 C Gold15μ" 金 D Gold30μ" 金 E Ag plated F Nickel80μ" 镍	Pin length(mm) 0968A 9.68mm 1776B 17.76mm S Special	Insulator Option R 圆角	Series 00 No

**ANYCONN® 东莞市恩康电子有限公司**  
 www.enkcom.com **DONGGUAN ANYCONN ELECTRONICS CO.,LTD**

TOLERANCE	PROJECTON	TITLE: 2.54mmPitch IC Sockets Straight DIP Spacing 7.62mm Pin Length 9.68mm
ANGLE ±5°	DATE : 2010-03-08	PART NO: PBDXXX37XXXX0968AR00
X.XXX ±0.10	DRAWN : LiKui	
X.XX ±0.20	CHECKED :	DRAWING NO: EP-PBD-047
X.X ±0.30	APPROVED :	REV: A0 UNIT: mm SCALE: 3:1 SIZE: A4
X. ±0.50		