

4

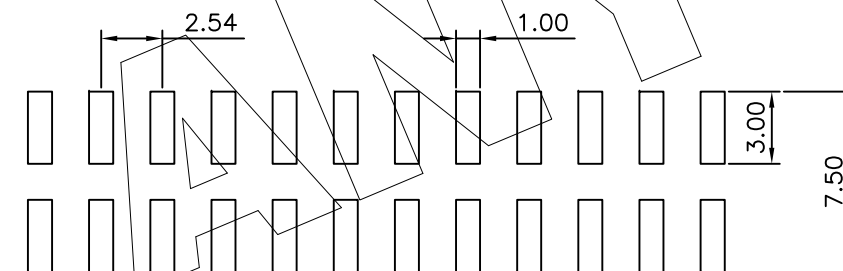
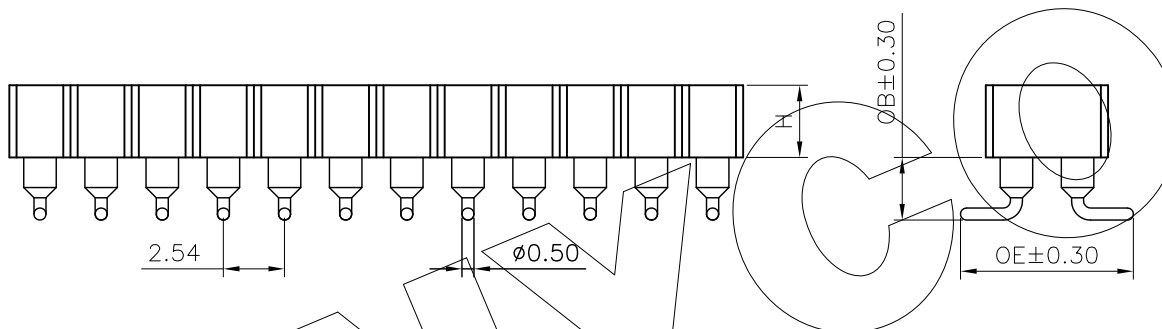
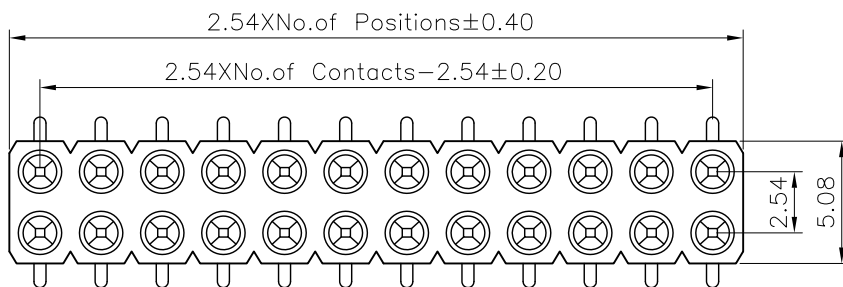
3

2

1

## REVISION DATA

REV	DESCRIPTION	DATE
A0	NEW DRAWING	2015-02-27



P.C.B LAYOUT

## Technical Data

## Material:

Pin(outer sleeve): Brass, machined CuZn38Pb2  
 Clip(contact 4 finger): Beryllium copper, heat treated  
 Plating(outer sleeve):  
 Tin plated: 2 $\mu$ m/80 $\mu$ "Ni, 5 $\mu$ m/200 $\mu$ "Sn  
 Gold Plated: 2 $\mu$ m/80 $\mu$ "nickel full gold  
 Plating(contact): 2 $\mu$ m/80 $\mu$ "nickel, gold or Tin plated  
 Insulator black(housing): PPS (UL94V-0)

## Electrical:

Current rating: 3Amps/contact max.  
 Contact resistance:  $\leq$  4m $\Omega$ /contact  
 Insulation resistance:  $\geq$  1000M $\Omega$  at V=100V  
 Operating voltage: 60VAC/DC

## Mechanical:

Average insertion force with steel pin of  
 Ø0.43mm/0.17": <250g  
 Average withdrawal force with steel pin of  
 Ø0.43mm/0.17": >90g min.  
 Mechanical life cycle: min.200  
 Operating temperatures: Gold Plated: -55°C to +105°C  
 Tin plated: -40°C to +105°C  
 Soldering temperature: +260°C, 10s max

PB

S	XXX	2	7	E	X	XX	0743A	0	00
Angel Options D 180°直插 R 90°折弯 S SMT H 卧式胶框 A 单排SMT 第1Pin朝下 B 单排SMT 第1Pin朝上	No. of Positions XXX Positions	Dip Spacing 0 No 1 1.27mm 2 2.54mm 3 7.62mm 4 10.16mm 6 15.24mm A 2.00mm S Special	Insulator Height 0 No 1 1.20 mm 2 1.90 mm 3 2.00 mm 4 2.10 mm 5 2.20 mm 6 2.80 mm 7 3.00 mm 8 3.80 mm 9 4.10 mm A 4.20 mm B 7.00 mm S Special	Insulator type A PBT单排 B PBT双排 C PBT中空 D PBT带柱 E PPS单排 F PPS双排 G PPS中空 H PPS带柱 I PA46单排 J PA46双排 K PA46三排 L PA66单排 M LCP四排	Pin Plated 0 No 1 Tin120 $\mu$ " 锡 2 Tin200 $\mu$ " 3 Gold0.4 $\mu$ "金 4 Gold0.8 $\mu$ " 5 Gold1 $\mu$ " 6 Gold1.5 $\mu$ " 7 Gold2 $\mu$ " 8 Gold3 $\mu$ " 9 Gold5 $\mu$ " A Gold8 $\mu$ " B Gold10 $\mu$ " C Gold15 $\mu$ " D Gold30 $\mu$ " E Ag plated F Nickel80 $\mu$ "	Clip plated 0 No 1 Tin120 $\mu$ " 锡 2 Tin200 $\mu$ " 3 Gold0.4 $\mu$ "金 4 Gold0.8 $\mu$ " A 5 Gold1 $\mu$ " 6 Gold1.5 $\mu$ " B 7 Gold2 $\mu$ " 8 Gold3 $\mu$ " C 9 Gold5 $\mu$ " D 10 Gold8 $\mu$ " 11 Gold10 $\mu$ " 12 Gold15 $\mu$ " 13 Gold30 $\mu$ " 14 Ag plated 15 Nickel80 $\mu$ "	Pin length(mm) 0743A 7.43mm S Special	Insulator Option 0 No	Series 00 No

ANYCONN® 东莞市恩康电子有限公司

www.enkcom.com

DONGGUAN ANYCONN ELECTRONICS CO.,LTD

TOLERANCE	PROJECTON	TITLE:
ANGLE $\pm 5^\circ$	DATE : 2015-02-27	2.54mmPitch SIP Sockets Doule Row SMT Pin Length 7.43mm
X.XXX $\pm 0.10$	DRAWN : JANE	PART NO: PBSXXX27FXXX0743A000
X.XX $\pm 0.20$	CHECKED :	DRAWING NO: EP-PBS-010
X.X $\pm 0.30$	APPROVED :	REV: A0 UNIT: mm SCALE: 1:1 SIZE: A4
X. $\pm 0.50$		

4

3

2

1