

4

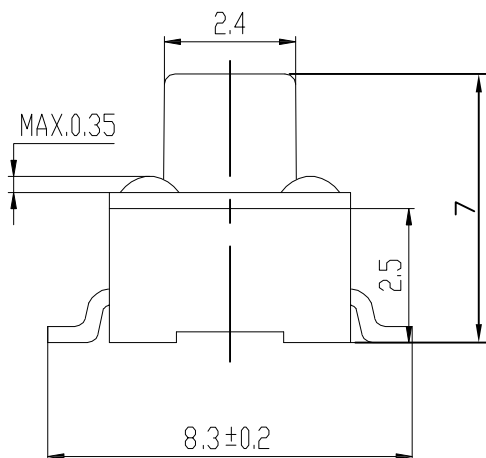
3

2

1

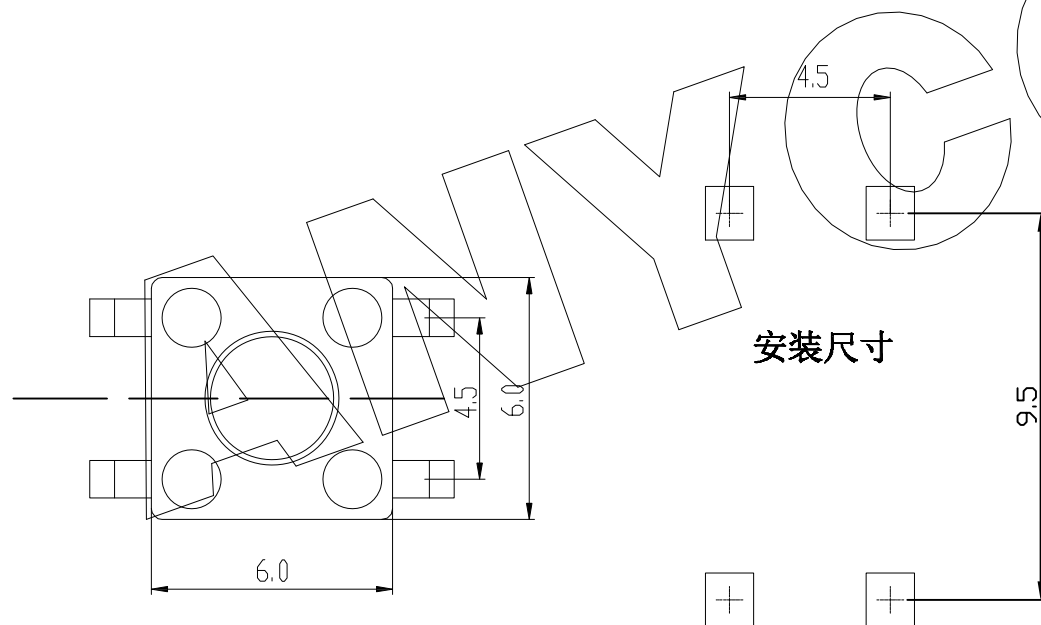
REVISION DATA

REV	DESCRIPTION	DATE
A0	NEW DRAWING	2015-06-08



SPECIFICATIONS

- 1、Current Rating: 0.05A AC, DC
- 2、Voltage Rating: 12V DC
- 3、Temperatuer Range: -25°C ~ +85°C
- 4、Contact Resistance: 0.1Ω Max
- 5、Insulation Resistance: 100mΩ Min
- 6、Withstanding Voltang: 250V AC/minute



H=3.5	H=6.0
H=3.8	H=6.5
H=4.0	H=7.0
H=4.3	H=8.0
H=4.5	H=9.0
H=4.8	H=10.0
H=5.0	H=11.0
H=5.5	H=12.0

ANYCONN® 东莞市恩康电子有限公司

www.enkcom.com

DONGGUAN ANYCONN ELECTRONICS CO.,LTD

TOLERANCE	PROJECTON		TITLE:
ANGLE ±3°	DATE :	2015-06-08	6*6*7 贴片
X.XXX ±0.03	DRAWN :	Songjun	PART NO:
X.XX ±0.05	CHECKED :		DRAWING NO:
X.X ±0.10	APPROVED :		REV: A0 UNIT: mm SCALE: 1:1 SIZE: A4
X. ±0.20			

4

3

2

1