

4

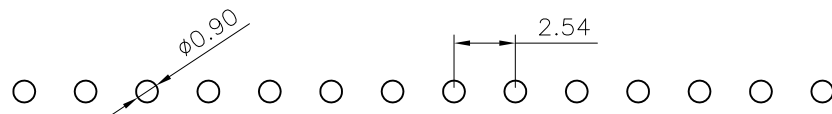
3

2

1

REVISION DATA

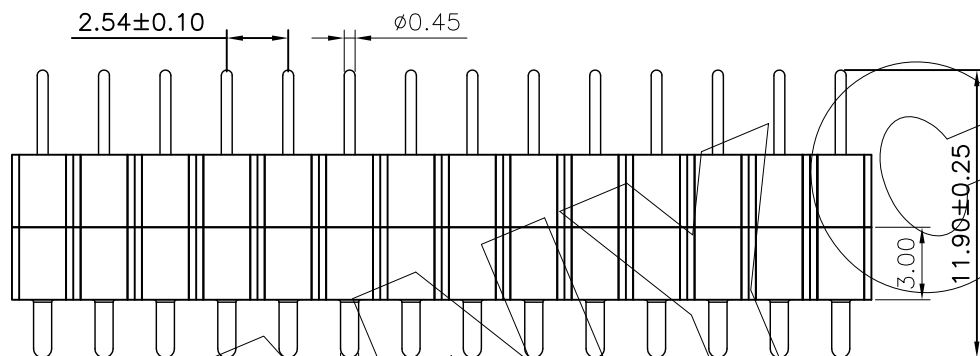
REV	DESCRIPTION	DATE
A0	NEW DRAWING	2012-10-25



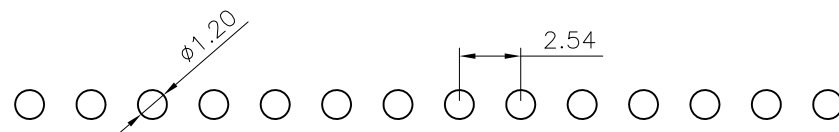
P.C.B LAYOUT

$$A = 2.54 \times \text{No. of Positions} \pm 0.40$$

$$B = 2.54 \times \text{No. of Contacts} - 2.54 \pm 0.15$$



P.C.B LAYOUT



4

3

2

1

Technical Data

Material:

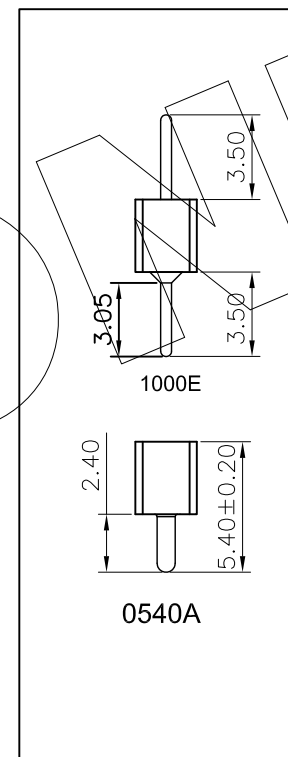
Pin(outer sleeve): Brass,machined CuZn38Pb2
 Clip(contact 4 finger): Beryllium copper,heat treated
 Plating(outer sleeve):
 Tin plated:2μm/80μ"Ni, 5μm/200μ"Sn
 Gold Plated:2μm/80μ"nickelfull gold
 Plating(contact): 2μm/80μ"nickel, gold or Tin plated
 Insulator black(housing): PPS (UL94V-0)

Electrical:

Current rating: 3Amps/contact max.
 Contact resistance: $\leq 4\text{m}\Omega/\text{contact}$
 Insulation resistance: $\geq 1000\text{M}\Omega$ at V=100V
 Operating voltage: 60VAC/DC

Mechanical:

Average insertion force with steel pin of
 $\varnothing 0.43\text{mm}/0.017"$: <250g
 Average withdrawal force with steel pin of
 $\varnothing 0.43\text{mm}/0.017"$: >90g min.
 Mechanical life cycle:min.200
 Operating temperatures: Gold Plated:-55°C to+105°C
 Tin plated:-40°C to+105°C
 Soldering temperature: +260°C, 10s max



ANYCONN® 东莞市恩康电子有限公司

www.enkcom.com

DONGGUAN ANYCONN ELECTRONICS CO.,LTD

TOLERANCE	PROJECTON	TITLE:
ANGLE $\pm 5^\circ$	DATE : 2012-10-25	PH2.54 H3.0+3.0 公母配套插座
X.XXX ± 0.10	DRAWN : LSJ	PART NO: PKDXXX07EXXX0540A000
X.XX ± 0.20	CHECKED :	DRAWING NO: EP-PKD-001
X.X ± 0.30	APPROVED :	REV: A0 UNIT: mm SCALE: 1:1 SIZE: A4
X. ± 0.50		